

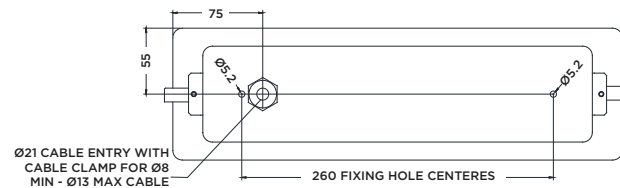
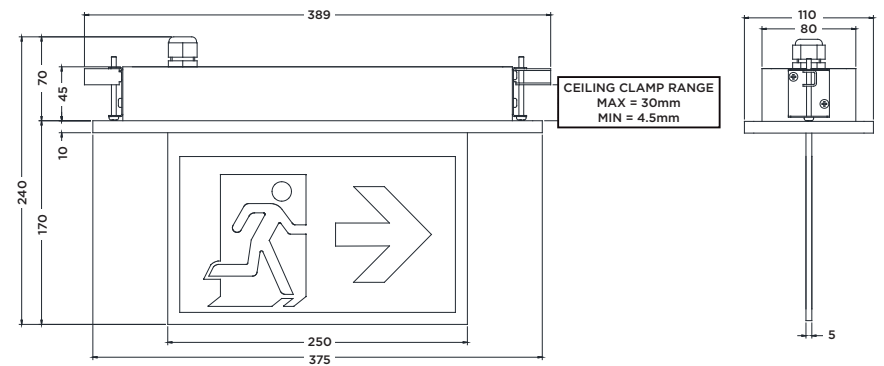
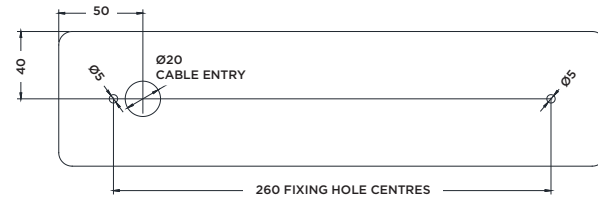
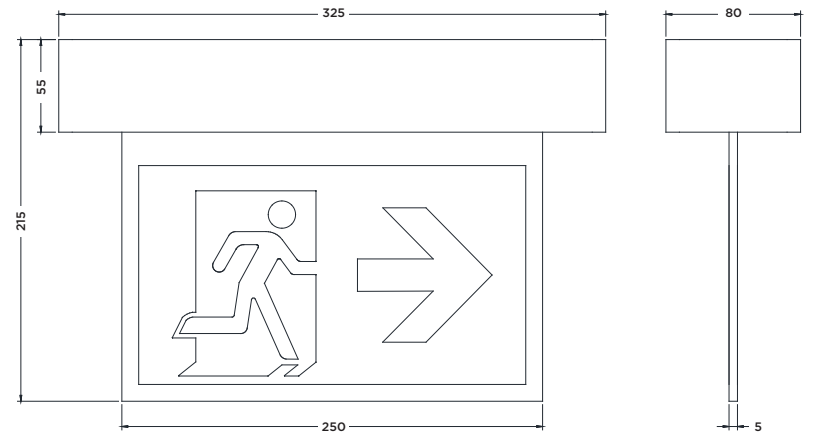
# ARDEN



- IP20
- NM/MM
- 6 WARRANTY
- KG 1.3
- 230v
- 1
- 1W
- DALI



- EN 60598-1
- EN60598-2-22
- EN55015
- EN61547
- EN61000-3-2



# ARDEN



IP20	NM/MM
6 WARRANTY	1.3 KG
230v	1
1W	DALI



- EN 60598-1
- EN60598-2-22
- EN55015
- EN61547
- EN61000-3-2

EXAMPLE PRODUCT CODE		ARD	S	LM	D	IS	S	U
<b>FAMILY</b>	ARDEN	ARD						
<b>MOUNT</b>	SURFACE	S						
	RECESSED	R						
<b>CONTROL</b>	MAINS/CENTRAL BATTERY*	LA						
	DALI MAINS/CENTRAL BATTERY*	DA						
	MAINTAINED SELF-CONTAINED	LM						
	MAINTAINED DALI	DL						
	MAINTAINED SPECTO-XT	XT						
<b>COLOUR</b>	DARK FINISH & LACQUER	D						
	MEDIUM FINISH & LACQUER	M						
	NATURAL FINISH & LACQUER	N						
<b>LEGEND TYPE</b>	ISO 7010	IS						
<b>LEGEND SIDE</b>	SINGLE SIDED	S						
	DOUBLE SIDED	D						
<b>ARROW DIRECTION</b>	UP	U						
	DOWN	D						
	LEFT	L						
	RIGHT	R						

Example Code ARDSLMDISSU ARDEN | Ceiling Surface | Maintained Self-Contained | Dark Finish & Lacquer | ISO 7010 | Single Sided | Up Arrow

For more information on colours, please go to the **Finishes Page**.

\*For input voltages please refer to our installation leaflets.

ACCESSORIES (ORDERED SEPARATELY)	
Wall Bracket	ARDSWBK
Conduit Wall Bracket	ARDCWBK
Conduit Ceiling Bracket	ARDCCBK
Ceiling Reinforcement Panel	ARDCRP
Wire Suspension Kit	ARDCWSK

**Wooden Components:** ARDEN's primary casing material is a sustainably harvested and kiln-dried European Oak which ensures optimal design stability. Whilst the product is machined from a high specification material to the strictest tolerances and with a superior coated finish, it must be noted that Oak is a natural organic material. As such, natural variations will be visible on the surface of the material to enhance the natural beauty of the Arden. The Oak will naturally take on a silverish hue as it ages and micro fissures may appear over time. Fluctuations in air moisture content in the application environment can cause the natural movement of wood, however, none of these potential changes in physical properties will affect ARDEN's product function or safety.