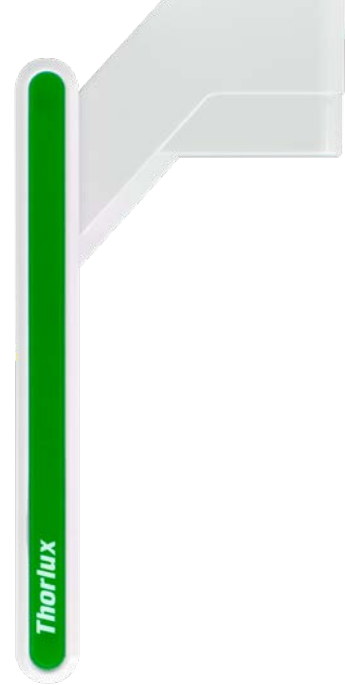


D-SIGN



INTEGRAL
DOWNLIGHT

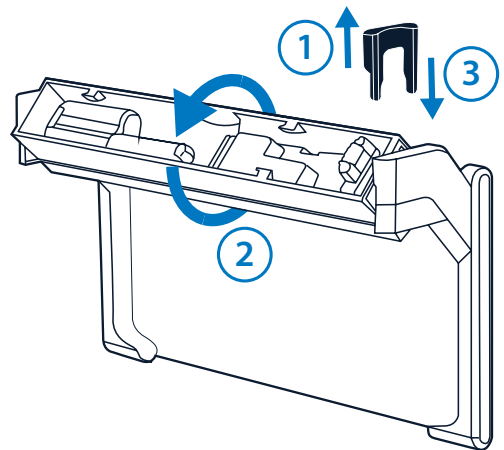


CEILING
MOUNTING
ORIENTATION

WALL
MOUNTING
ORIENTATION

CEILING OR WALL MOUNTING

**Tool-free adjustment
in seconds.**



LEGEND OPTIONS

ISO 7010 Single Sided



A



B



C



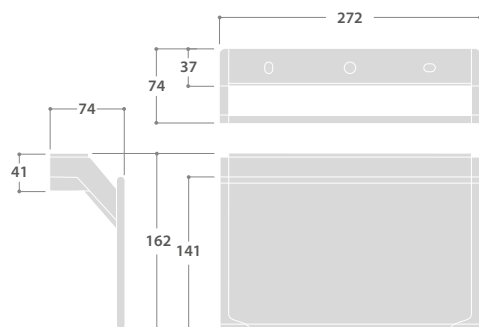
D

ISO 7010 Double Sided



E

DIMENSIONS





Black finish option

ARCHITECTURAL SURFACE MOUNTED EXIT SIGNS WITH SMARTSCAN WIRELESS COMMUNICATION



SPECIFICATION

- Polycarbonate body with PET-G legend panel
- White (RAL9016) or black (RAL9005) finishes available
- Extremely long LED lifetime, up to 100,000 hours
- 23m maximum viewing distance in accordance with BS EN 1838
- Three hour, maintained emergency operation
- Low power consumption (2.3W total)
- Can be ceiling or wall mounted through simple tool-free adjustment
- Integral downlight for exit illumination
- Choice of legends
- Status indicator shows operational condition
- Reliable Nickel Metal Hydride (NiMH) battery technology

At Platform 1 SmartScan emergency luminaires may self-test at any time. Consequently, caution should be exercised in situations where this may be inconvenient (such as hotel rooms or hospital wards). At Platform 2 specific testing times can be set via the SmartScan website (SmartScan Gateway required).

RANGE

ISO 7010 LEGEND	CAT. No.	TYPE	APPROX. kg
SmartScan			
A	WDS 20220	Maintained	0.8
B	WDS 20221	Maintained	0.8
C	WDS 20222	Maintained	0.8
D	WDS 20223	Maintained	0.8
E	WDS 20224	Maintained	0.8
AutoTest			
A	TDS 20220	Maintained	0.8
B	TDS 20221	Maintained	0.8
C	TDS 20222	Maintained	0.8
D	TDS 20223	Maintained	0.8
E	TDS 20224	Maintained	0.8

FINISH OPTIONS - suffix catalogue number with: **B** - Black e.g. **WDS 20220B** etc.

SPARES

DESCRIPTION	CAT. No.	APPROX. kg
Nickel Metal Hydride (NiMH) battery	EMB 650	0.07

SmartScan Wireless Standards Compliance:

Europe: EN 300 220-1 V2.4.1 / EN 301 489-3 V1.6.1
 Australasia: ACMA 2014 Radio Communication Standard 2014
 Thorlux Patented Wireless Technology - GB2575724

SmartScan Configurations



Find out more at www.thorlux.com/smartsan

5

YEAR

BATTERY *
WARRANTY

* SmartScan versions only