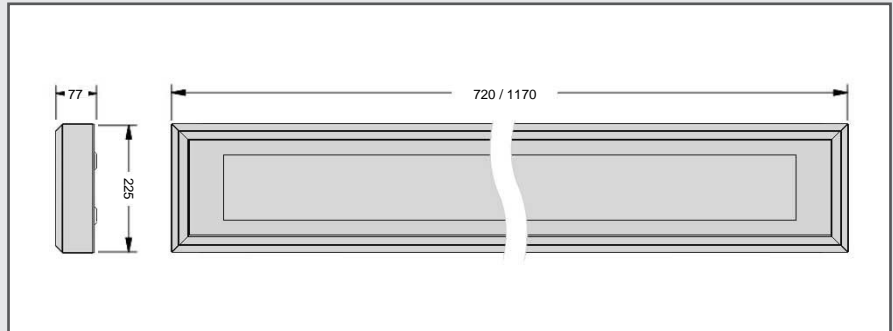


# Shield Surface LED

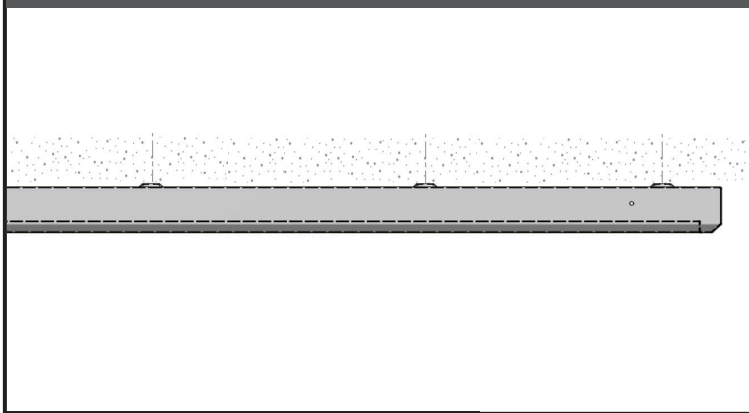
35W / 72W LED

IP 65 / IK10++ 

LAMP	APPROX. KG
35W LED	- 7.0
72W LED	- 13.0



## MOUNTING METHOD



1. Fix in place securing to the ceiling using suitable robust impact resistant fixings.

2. Apply approved anti-pick mastic to all gaps around the luminaire.

