

ZENA PLUS

Roberto Paoli

The clean silhouette of Zena is the result of a rigorous research of geometrical design that leads to the conception of an essential and powerful artefact featuring significant lighting performances. The PLUS version includes a track that can host up to two adjustable spots. Zena represents a revolution in the world of wall lamps, a contemporary experiment that transforms the wall lamp from a traditionally static object into a dynamic and sophisticated element, an important synthesis of lightness, power and comfort. Zena features recyclable aluminium extrusions available in matt white and matt black. Optional spotlights in the PLUS version.



LINEAR+TRACK | 2700K

LAMPING

Source	LED board
Total power	8W
Emission	diffused
Switching	TRIAC
Tension	230V
Color temperature	2700K
Luminous flux	900
Typ CRI	90
Notes	spot not included, to be ordered separately

Codes

ZEN LW2 32

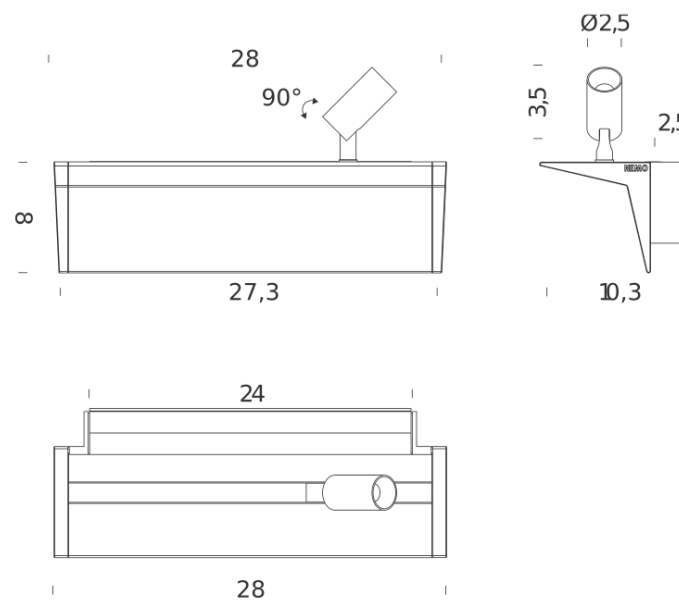
ZEN LN2 32

Structure

white

black

Certificazioni



LINEAR+TRACK | 3000K

LAMPING

Source	LED board
Total power	8W
Emission	diffused
Switching	TRIAC
Tension	230V
Color temperature	3000K
Luminous flux	900
Typ CRI	90
Notes	spot not included, to be ordered separately

Codes

ZEN LWW 32

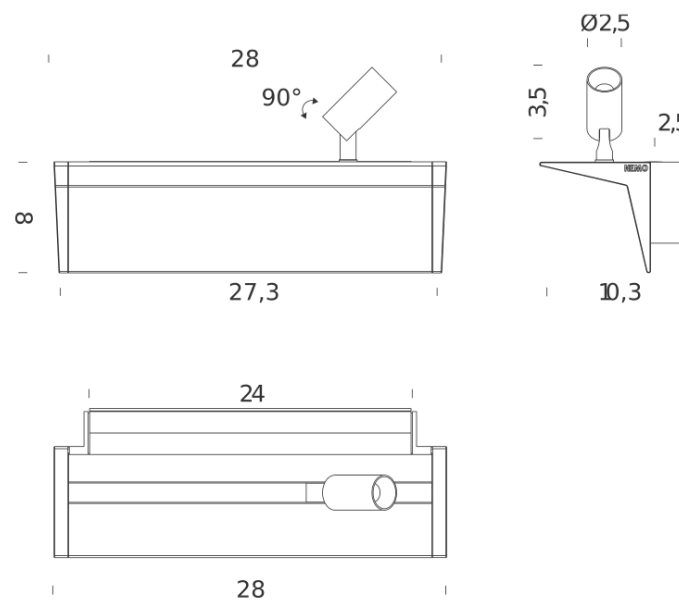
ZEN LNW 32

Structure

white

black

Certificazioni



SPOT | 2700K

LAMPING

Source	LED
Total power	3W
Emission	38°
Switching	TRIAC
Tension	230V
Color temperature	2700K
Luminous flux	150lm
Typ CRI	90
Dimensions	ø2,5x3,5
Notes	max 2 spot per track, orientable

Codes

ZEN LW2 81

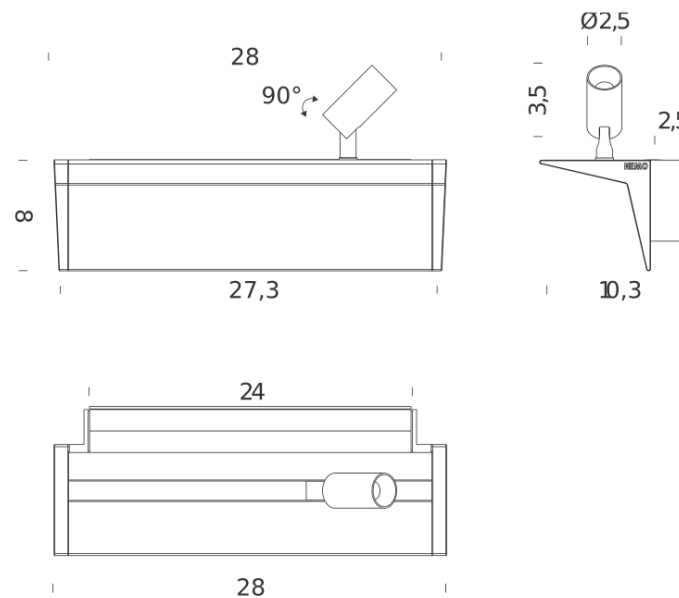
ZEN LN2 81

Structure

white

black

Certificazioni



SPOT | 3000K

LAMPING

Source	LED
Total power	3W
Emission	38°
Switching	TRIAC
Tension	230V
Color temperature	3000K
Luminous flux	150lm
Typ CRI	90
Dimensions	ø2,5x3,5
Notes	max 2 spot per track, orientable

Codes

ZEN LWW 81

ZEN LNW 81

Structure

white

black

Certificazioni

