



STARFLOOD

FORM MEETS FUNCTION







STARFLOOD

COMPACT AND STYLISH FLOODLIGHT WITH
PRECISE OPTICAL CONTROL FOR BOTH UPLIGHTING
AND DOWNLIGHTING APPLICATIONS

< 2% Upward Light ✓

Help reduce light pollution and protect the night
sky by selecting < 2% upward light luminaires



The Starflood is an extremely versatile, precision engineered floodlight suitable for a variety of functions from traditional floodlighting to illuminating signs and building facades.

A single, versatile mounting bracket, suitable for all wall, floor or pole top mounting scenarios, is supplied with the luminaire.

The sophisticated die cast aluminium body is fitted with a UV stabilised polycarbonate cover providing mechanical protection for the LEDs.

In house manufactured circuit boards combined with precise acrylic lenses and the latest high performance LEDs ensure excellent efficiency (up to 118.1 lumens per circuit watt) and longevity (up to 100,000 hours).



STRIKING ELEGANCE







DESIGNED TO PERFORM



As standard, the Thorlux designed and manufactured LED circuit boards contain over-voltage protection diodes and individual LED protection so that if a single LED, or solder joint fails, other LEDs will continue to operate. The LED circuit board is separate from the high power factor control gear; both units are fully replaceable, increasing the service life of the luminaire.



Individual sophisticated acrylic lenses direct the light where it is needed for increased uniformity.



The IP66 enclosure excludes water, dust and insects helping to maintain optical efficiency.



The die-cast body features fins which channel water, preventing pooling and cool the LEDs ensuring efficient operation and long LED lifetime.



Starflood is fitted with a UV stabilised polycarbonate cover with mechanical protection at IK10, providing a robust luminaire.



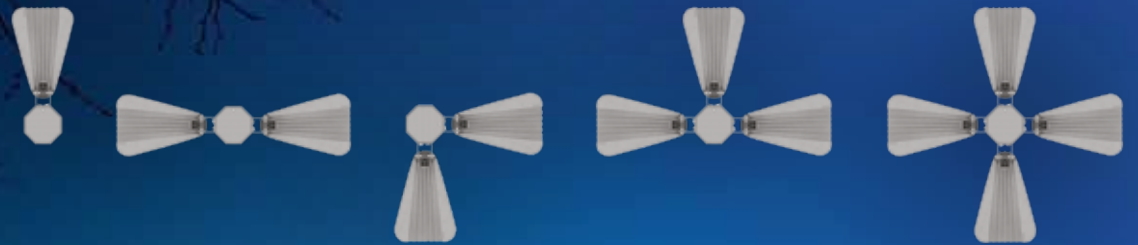
IMPRESSIVE VERSATILITY



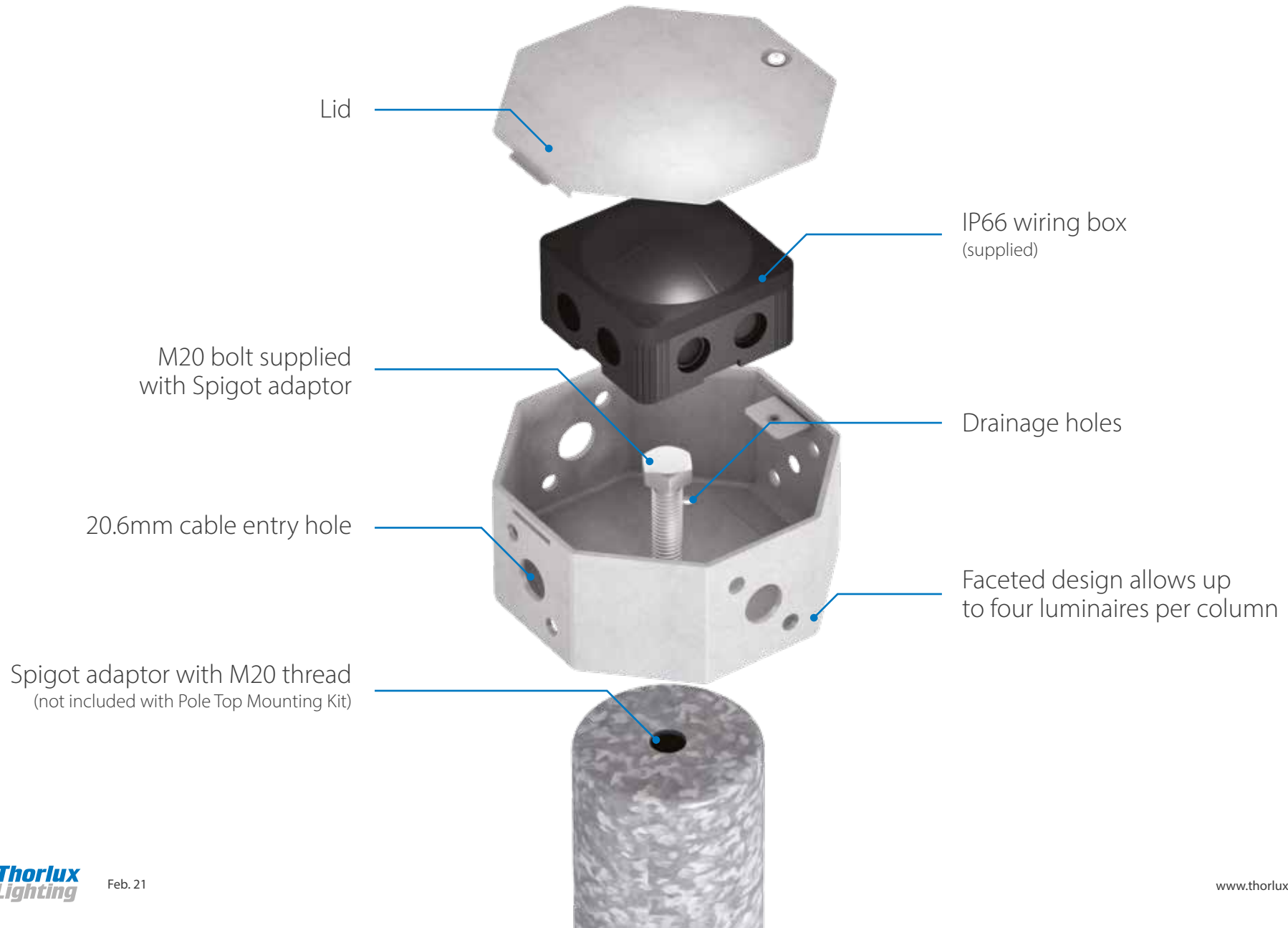
The Starflood range offers a lighting solution for a wide variety of applications from general areas and building facades to landscape lighting of gardens and parks. Precisely controlled LEDs prevent light pollution, spillage or glare.



The unique pole top mounting unit contains an IP66 wiring box for simple installation and is supplied as standard, with pre-drilled fixing holes for up to four luminaires.



POLE TOP MOUNTING KIT





INTELLIGENT SMART CONTROL



SmartScan

LUMINAIRES WITH INTEGRAL SMART EXTERNAL SENSOR AND WIRELESS MOTIONLINE

SmartScan External takes the benefits of the Smart system and applies them to outdoor applications. A discrete sensor integral to the luminaire monitors ambient light and presence ensuring that the area is only illuminated when occupied and that the lighting is turned off during daylight hours.

SmartScan wireless technology eliminates the need for control cabling between luminaires, making SmartScan External a cost effective choice for retro-fit and new build installations.

Lighting can account for a high percentage of energy consumed outside a building, especially if uncontrolled discharge luminaires are installed.

Massive energy savings and extended maintenance cycles are possible by combining programmable presence detection and light sensing with LED luminaires. Savings by the installation of automatic lighting control systems often exceed 70%.

www.thorlux.com/smartsan



MOVEMENT DETECTION

Presence sensors in all luminaires ensure excellent detection coverage, so that Smart luminaires switch on when movement is detected and stay on whilst the area is occupied.



WIRELESS MOTIONLINE

If any single luminaire detects movement all connected luminaires within the group will illuminate. The Motionline ensures that there will always be a well-lit safe environment.



MESH NETWORK

Data can be transmitted from one device to another ensuring high signal reliability.



AMBIENT LIGHT CONTROL

The Smart External Sensor incorporates an ambient light sensor which will enable at dusk and disable at dawn. The luminaire will remain off until movement is detected.



PROGRAMMING

A range of parameters can be programmed to enable the lighting system to match specific application requirements.



GOOD CONNECTIVITY

Software uses simple wait before transmit logic to ensure error free transmissions.

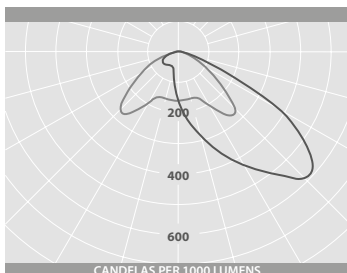
The first luminaire detects movement

A wireless Motionline signal is sent between luminaires

All luminaires within the group turn on



PHOTOMETRIC GUIDE



LED

Luminaire Lumen Output:
 20W = 2835lm
 34W = 4575lm
 42W = 5400lm

PERFORMANCE GUIDE

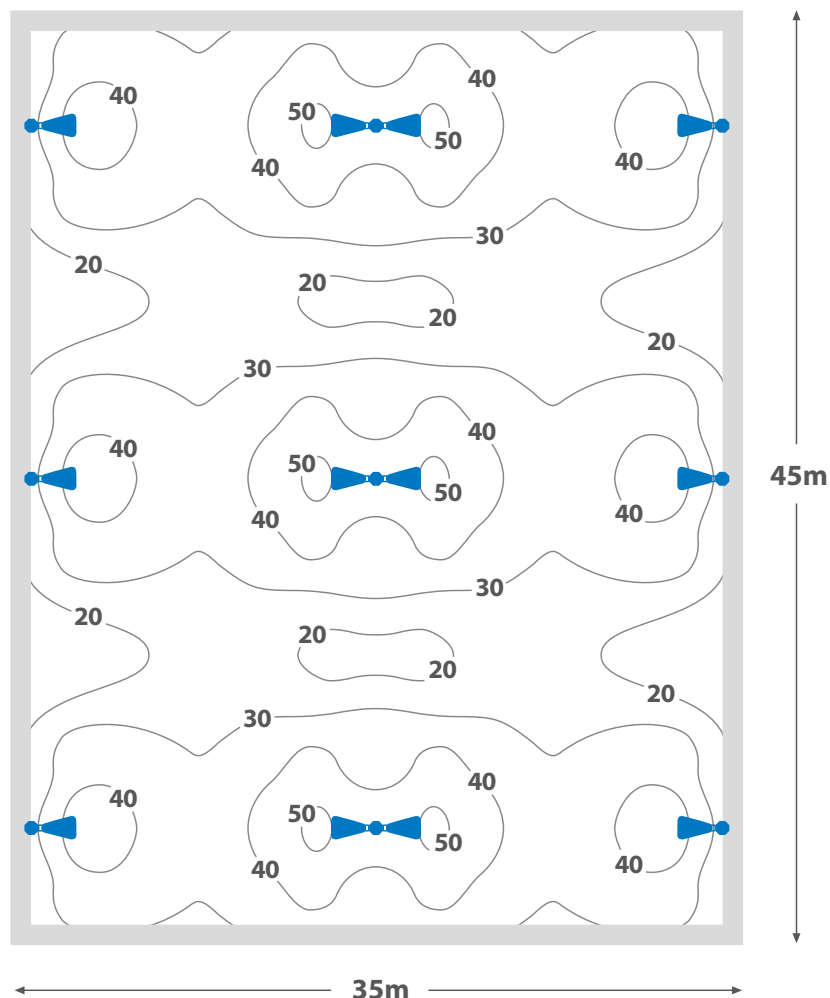
20W LED

| SPACING | AVERAGE ILLUMINANCE | UNIFORMITY (min/av) |
|---|---------------------|---------------------|
| 4m mounting height - 6m forward throw | | |
| 8m ctrs | 40 lux | 0.44 |
| 10m ctrs | 30 lux | 0.47 |
| 12m ctrs | 23 lux | 0.29 |
| 14m ctrs | 17 lux | 0.20 |
| 5m mounting height - 8m forward throw | | |
| 8m ctrs | 24 lux | 0.34 |
| 10m ctrs | 19 lux | 0.36 |
| 12m ctrs | 16 lux | 0.39 |
| 14m ctrs | 14 lux | 0.33 |
| 6m mounting height - 10m forward throw | | |
| 8m ctrs | 20 lux | 0.33 |
| 10m ctrs | 16 lux | 0.34 |
| 12m ctrs | 13 lux | 0.37 |
| 14m ctrs | 11 lux | 0.39 |

FIGURES ARE BASED ON INITIAL LUMENS

TYPICAL SPACING GUIDE

42W LED / 6m mounting height / 17.5 x 17.5m spacing -
 Average illuminance = 32 lux / Uniformity = 0.31



HIGH PERFORMANCE MINI LED FLOODLIGHTS

IP66 IK10 UK CA CE LED

WINDAGE - 0.06m²

SPECIFICATION

- Graphite full polyester powder finish. Silver option RAL9006
- Strong die-cast LM6M aluminium body
- Highly impact resistant polycarbonate cover and acrylic high efficiency LED lenses
- Photocell option
- Smart External versions with intelligent lighting control for use up to 6 metres mounting height
- SmartScan wireless technology removes the need for control cabling. Ideal for retro-fit
- Fitted with 4000K LEDs

LED CHARACTERISTICS

| | |
|--------------------|----------------|
| CRI | 70+ |
| COLOUR TEMPERATURE | 4000K |
| RATED LIFE (HOURS) | 100K - L90/B10 |
| PROTECTION | LED PROTECT |
| DRIVER EFFICIENCY | >85% |
| REPLACEABLE | YES |
| POWER FACTOR | >0.95 |

LL/CW 118.1

For LED characteristics explanation see www.thorlux.com/led-guide

SmartScan Configurations



Find out more at www.thorlux.com/smartsan

RANGE

| | LED | 4000K VERSION | 5700K VERSION | APPROX. kg |
|----------------|-----|---------------|---------------|------------|
| SMART EXTERNAL | 20W | STF 17567SS | STF 17410SS | 2.3 |
| | 34W | STF 17568SS | STF 17411SS | 2.3 |
| STANDARD | 20W | STF 17569L | STF 17413L | 2.2 |
| | 34W | STF 17570L | STF 17414L | 2.2 |
| | 42W | STF 17571L | STF 17415L | 2.2 |

CIRCUIT TYPE -

SMART EXTERNAL SS - SmartScan

STANDARD L - non-dimming (LED)

SILVER OPTION - add suffix **SV3** e.g. **STF 17567SSSV3** etc.

NOTE - Smart version not suitable for uplighting applications

OPTIONS

| DESCRIPTION | SUFFIX | EXAMPLE |
|-------------|--------|-----------------|
| Photocell | PC | STF 17569LPCSV3 |

COLOUR OPTIONS



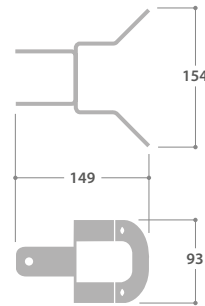
Graphite



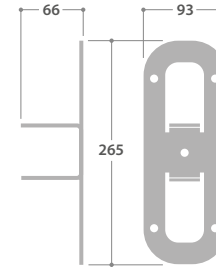
Silver

MOUNTING OPTIONS

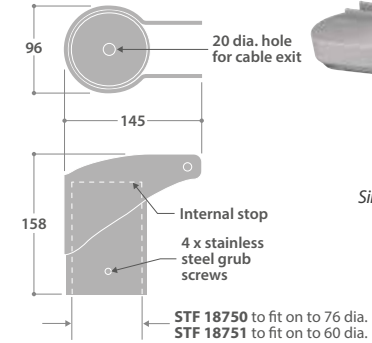
Corner mounting bracket



Wide mounting bracket

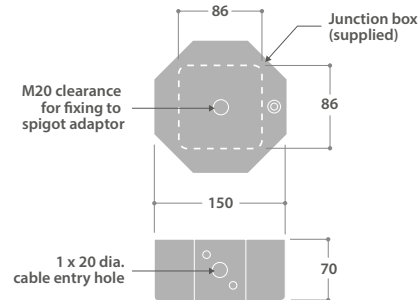


Single luminaire pole top mount



Single luminaire pole top mount

Pole top mounting kit

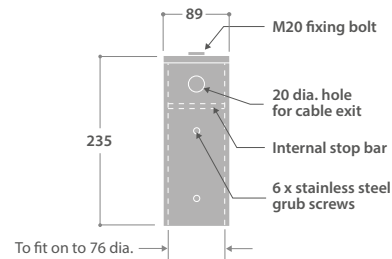


DESCRIPTION

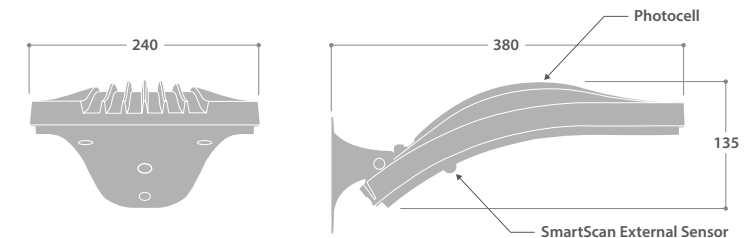
| DESCRIPTION | CAT. No | APPROX. kg |
|---|--------------|------------|
| Single luminaire pole top mount finished silver (76mm dia.) | STF 18750SV3 | 1.2 |
| Single luminaire pole top mount finished graphite (76mm dia.) | STF 18750G2 | 1.2 |
| Single luminaire pole top mount finished silver (60mm dia.) | STF 18751SV3 | 1.5 |
| Single luminaire pole top mount finished graphite (60mm dia.) | STF 18751G2 | 1.5 |
| Pole top mounting kit finished silver ■ | STF 17330SV3 | 1.4 |
| Pole top mounting kit finished graphite ■ | STF 17330G2 | 1.4 |
| Galvanised spigot adaptor for 76 dia. shaft | POT-89 | 2.9 |
| Corner mounting bracket finished graphite | STF 17329G2 | 0.5 |
| Wide mounting bracket finished graphite | STF 17328G2 | 0.5 |

■ For use with spigot adaptor **POT-89**, can accommodate up to 4 Starfloods

Spigot adaptor



DIMENSIONS





Designers, manufacturers and suppliers
of professional lighting systems

INDUSTRIAL LUMINAIRES
COMMERCIAL LUMINAIRES
FLOODLIGHTING LUMINAIRES
ARCHITECTURAL LUMINAIRES
HEALTHCARE LUMINAIRES
HAZARDOUS AREA LUMINAIRES
RETAIL AND DISPLAY LUMINAIRES
CONTROLS AND SYSTEMS

A DIVISION OF F.W. THORPE PLC

Thorlux Carbon Offsetting Project:
www.thorlux.com/trees

The information given in this catalogue is typical and must not be interpreted as a guarantee of individual product performance and/or characteristics. We reserve the right to alter specifications and designs without prior notice.

Thorlux Lighting
Merse Road
North Moons Moat
Redditch
Worcestershire
B98 9HH
England

T +44 (0)1527 583200
F +44 (0)1527 584177
E thorlux@thorlux.co.uk
W www.thorlux.com

Direct UK Sales Line: 01527 583222

Thorlux Lighting Ireland
Unit G6
Riverview Business Park
Nangor Road
Gallanstown
Dublin 12
Ireland

T +353 (0)1 460 4608
F +353 (0)1 460 4609
E thorlux@thorlux.ie
W www.thorlux.ie

Thorlux Lighting Deutschland
Ernst Gnoß Strasse 7
40219 Düsseldorf
Deutschland

T +49 (0)211 695 603-10
F +49 (0)211 695 603-11
E thorlux@thorlux.de
W www.thorlux.de

Thorlux Lighting Australasia Pty Ltd.
31 Cross Street
Brookvale
Sydney
NSW 2100
Australia

T 1300 04 32 32
T +61 (0)2 9907 1261
E thorlux@thorlux.com.au
W www.thorlux.com.au

Registered No. ABN 139 400 507

Thorlux Lighting LLC
Office 334
European Business Centre
Green Community
Dubai Investment Park 1
PO Box 33484
Dubai
United Arab Emirates

T +971 (0)2 656 5842
F +971 (0)2 622 4149
E sales@thorlux.ae
W www.thorlux.ae

