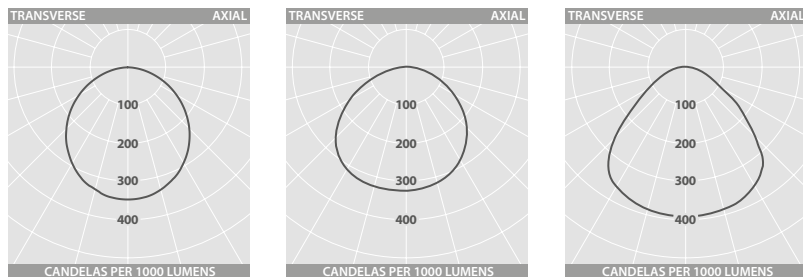


RADIANCE SURFACE



PHOTOMETRIC GUIDE



600 x 600 - OPAL

Luminaire Lumen Output
 16W = 2335lm
 28W = 4130lm
 38W = 5375lm
 51W = 7650lm

1200 x 300 - OPAL

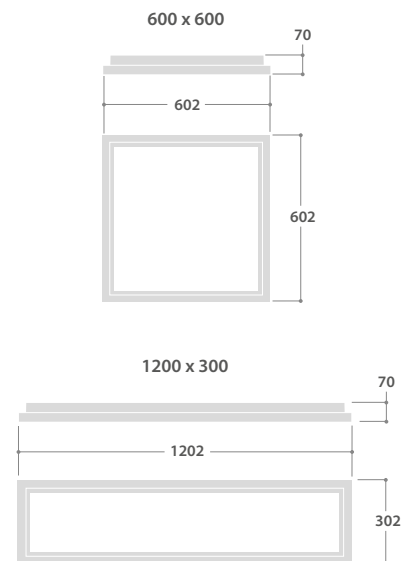
Luminaire Lumen Output
 16W = 2255lm
 28W = 4011lm
 38W = 5180lm
 51W = 7315lm

600 x 600 - LOW GLARE

Luminaire Lumen Output
 16W = 2085lm
 28W = 3715lm
 38W = 4770lm
 51W = 6695lm*

* Exceeds EN12464-1 / LG7 3000 cd/m² limit

DIMENSIONS





LED EDGE-LIT SURFACE LUMINAIRES



SPECIFICATION

- Steel body finished full polyester non-yellowing satin white (RAL 9016)
- Supplied with polycarbonate TP(a) fire-retardant diffuser. Low glare optics for EN12464-1 / LG7 (<3000 cd/m² @ 65°) compliance or opal options
- Zinc coated steel gear enclosure securely fastened to the luminaire housing
- Edge-lit diffuser technology eliminates visible LEDs
- Smart versions with intelligent lighting control
- SmartScan wireless technology removes the need for control cabling. Ideal for retro-fit
- Fitted with 4000K LEDs

HIGH COLOUR RENDERING RA90+
VERSIONS AVAILABLE TO SPECIAL ORDER

LED CHARACTERISTICS

CRI	80+
COLOUR TEMPERATURE	4000K
RATED LIFE (HOURS)	67K - L80/B10
PROTECTION	LUX GUARD
DRIVER EFFICIENCY	>85%
REPLACEABLE	-
POWER FACTOR	>0.9
LL/CW	133.2

For LED characteristics explanation see www.thorlux.com/led-guide

RANGE

	NOMINAL SIZE (mm)	LED	OPAL	LOW GLARE	APPROX. kg	CIRCUIT	
SMART	600 x 600	16W	RAD 16920	RAD 16928	10.7	D/SS	
		28W	RAD 16921	RAD 16929	10.7	D/SS	
		38W	RAD 16922	RAD 16930	10.7	D/SS	
		51W	RAD 16923	RAD 16931	10.7	D/SS	
	1200 x 300	16W	RAD 17054		11.0	D/SS	
		28W	RAD 17055		11.0	D/SS	
		38W	RAD 17056		11.0	D/SS	
		51W	RAD 17057		11.0	D/SS	
		600 x 600	16W	RAD 16924	RAD 16932	10.6	L/A
			28W	RAD 16925	RAD 16933	10.6	L/A
38W	RAD 16926		RAD 16934	10.6	L/A		
51W	RAD 16927		RAD 16935	10.6	L/A		
1200 x 300	16W		RAD 17058		10.9	L/A	
	28W		RAD 17059		10.9	L/A	
	38W	RAD 17060		10.9	L/A		
	51W	RAD 17061		10.9	L/A		

CIRCUIT TYPE - suffix catalogue number with:

- SMART** D - Smart / SS - SmartScan
- STANDARD** L - non-dimming / A - dimming (DALI)
e.g. **RAD 16920SS** etc.

EMERGENCY VERSION - prefix catalogue number with:

- ERD** - Emergency
 - TRD** - AutoTest (Not available when selecting the 'SS' suffix)
 - WRD** - SmartScan (Only available when selecting the 'SS' suffix)
e.g. **WRD 16920SS** etc.
- Add 0.3kg to weights listed.

SmartScan Configurations



Find out more at www.thorlux.com/smartsan