

STARBEAM



The Starbeam range of precision engineered LED area floodlights and streetlights takes external lighting to a new dimension in terms of efficiency (up to 148.2 luminaire lumens per circuit watt) and longevity (up to 100,000 hours). This is achieved through significant investment in high quality die-cast heat sinks and in house manufactured printed circuit boards positioning the very latest top brand LEDs within precise acrylic lenses. A range of power levels, two optical distribution types and two body sizes provides every option necessary for car park, general amenity and road lighting applications.

CONFIGURATOR

EMERGENCY TYPE ♦	PRODUCT CODE	WATTAGE	DISTRIBUTION	PHOTOCELL	CONTROL TYPE
Small version					
W SmartScan *	SB Starbeam	031 31W	A2 Area	X Without photocell	S SmartScan
		062 62W	R5 Roadway	P With photocell ***	L Non-dimming
		088 88W			
		123 123W			
		161 161W			
Large version					
	SB Starbeam	197 197W	A2 Area	X Without photocell	S SmartScan
			R5 Roadway	P With photocell ***	L Non-dimming
E.g. WSB031A2XS					
W SmartScan	SB Starbeam	031 31W	A2 Area	X Without photocell	S SmartScan

♦ Optional, leave blank if emergency is not required

* Only available with S Control Type on 31W, 62W & 88W versions *** Only available with L Control Type

NOTE: - Emergency versions not suitable for high ambient temperatures
- Glass version available to special order

Zero Upward Light

Help reduce light pollution and protect the night sky by selecting zero upward light luminaires

(SMALL VERSION ONLY, LARGE VERSION <1% UPWARD LIGHT)

WEIGHTS

VERSION	APPROX. kg	SMARTSCAN
Small	8.0	Add 0.2kg to weight listed.
Large	9.2	SMARTSCAN EMERGENCY Add 0.3kg to weight listed.

ACCESSORIES

See page 5



LED AREA FLOODLIGHTS AND STREET LIGHTS

IP66 IP65 SMART VERSION IK10 UK CA CE

LED WINDAGE - small: 0.06m² large: 0.07m²

SPECIFICATION

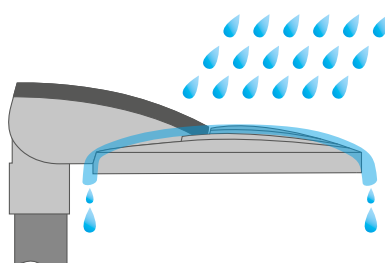
- Die-cast aluminium body and gear compartment finished polyester silver RAL9006
- Die-cast aluminium, fast release gear compartment lid finished polyester graphite
- Polycarbonate cover and acrylic high efficiency LED lenses
- Area or roadway optical distributions
- Integral high efficiency driver
- Extremely efficient and long system life up to 100,000 hours
- Suitable for ambient temperatures up to 50°C
- Smart External versions with intelligent lighting control for use up to 12 metres mounting height
- SmartScan wireless technology removes the need for control cabling. Ideal for retro-fit
- Pole top 76mm as standard, adjustable through 90°
- Wall mounting bracket accessory
- Wide range of mounting options (see page 5 for details)
- Photocell option
- Fitted with 4000K LEDs

LED CHARACTERISTICS

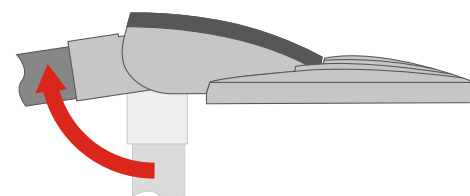
CRI	70+
COLOUR TEMPERATURE	4000K
RATED LIFE (HOURS)	100K - L90/B10
PROTECTION	LED PROTECT
DRIVER EFFICIENCY	>90%
REPLACEABLE	YES
POWER FACTOR	>0.9

LL/CW 148.2

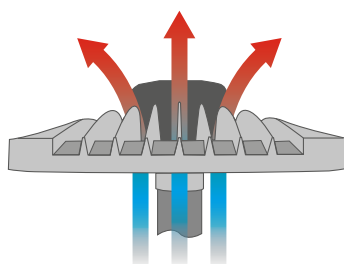
For LED characteristics explanation see www.thorlux.com/led-guide



1. "Free draining" curved heat sink eliminates ponding of fluids



2. Integral adjustable mounting spigot allows easy retrofit on to a wide range of columns and brackets whilst maintaining 0° elevation



3. Heat dissipation fins combined with air flow between heat sink and gear compartment extends control gear lifetime



Smart External version

SmartScan Configurations



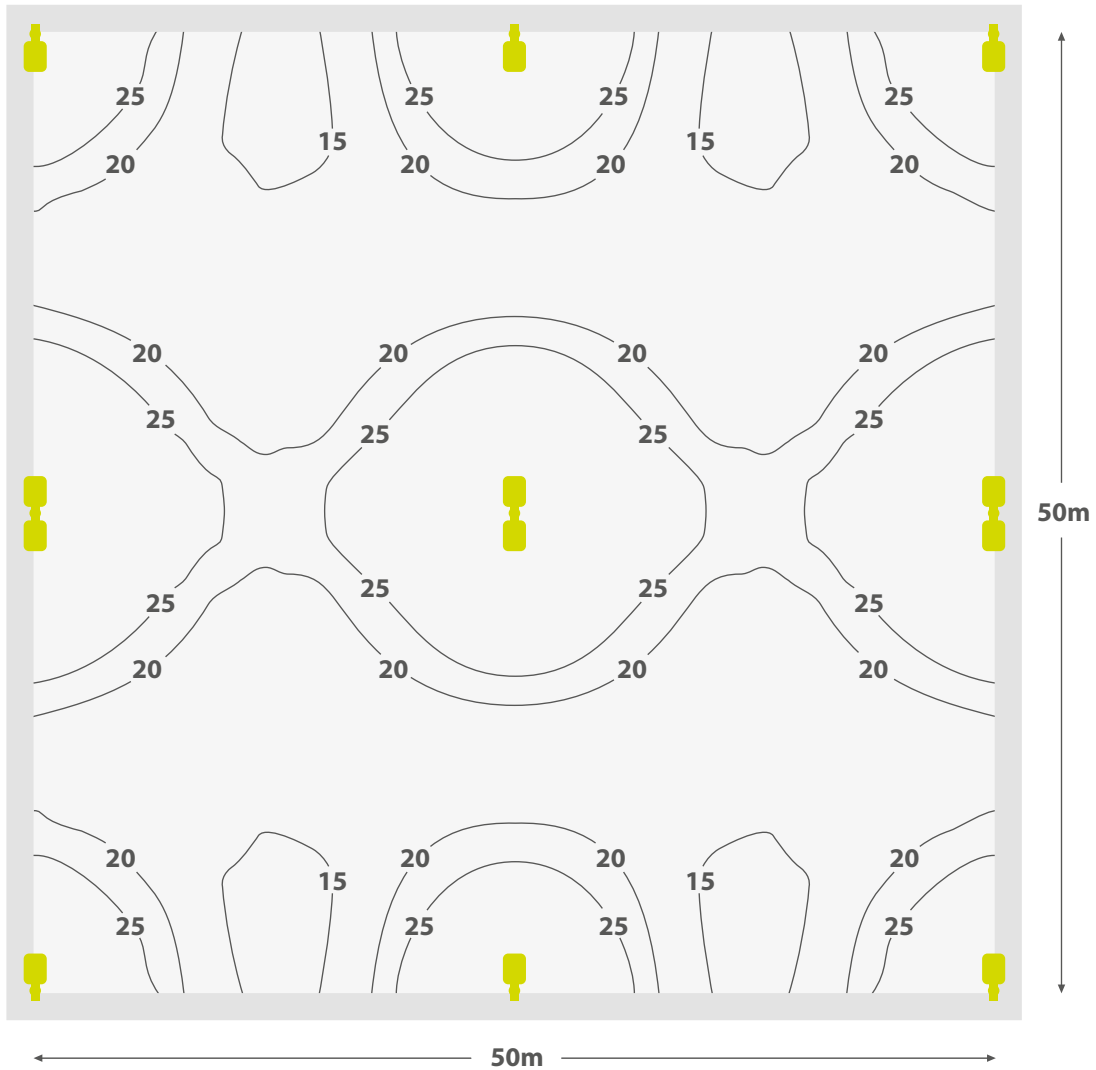
Find out more at www.thorlux.com/smartsan

STARBEAM

TYPICAL SPACING GUIDE

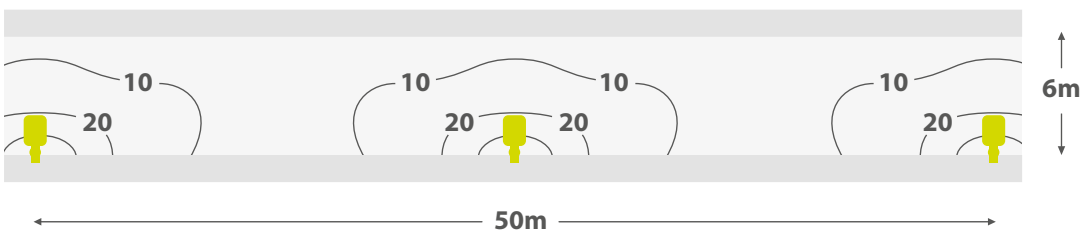
AREA DISTRIBUTION

62W LED / 6m mounting height / 25 x 25m spacing - Average illuminance = 24 lux / Uniformity = 0.525

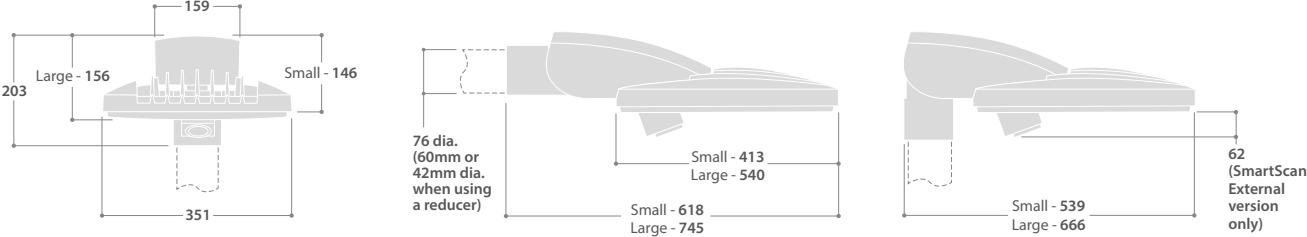


ROADWAY DISTRIBUTION

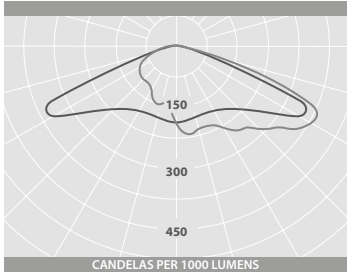
31W LED / 6m mounting height / 25m spacing - Average illuminance = 11 lux / Uniformity = 0.44



DIMENSIONS

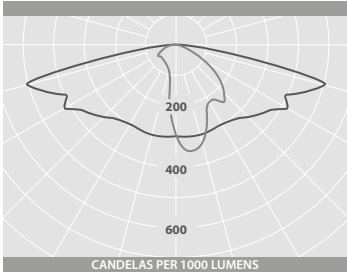


PHOTOMETRIC GUIDE



AREA DISTRIBUTION

Luminaire Lumen Output:
 31W = 3225lm
 62W = 8830lm
 88W = 12570lm
 123W = 17435lm
 161W = 21860lm
 197W = 27470lm



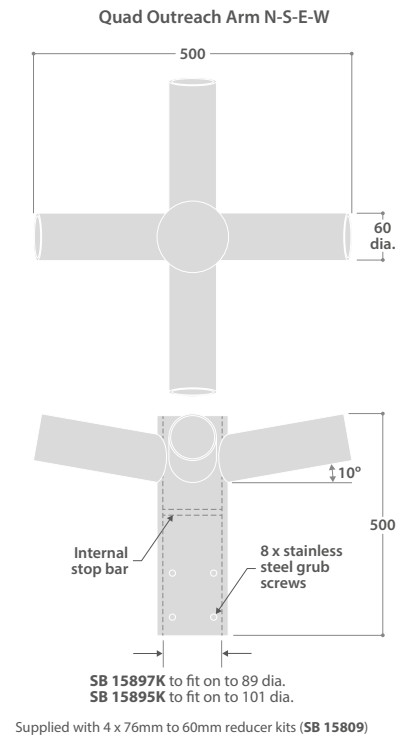
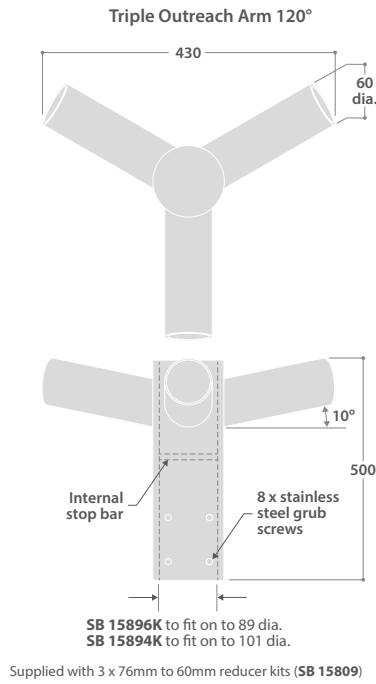
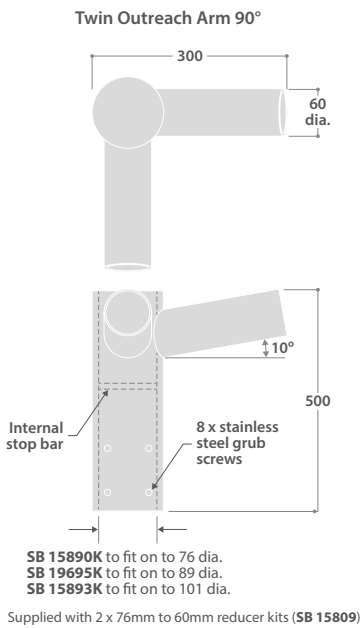
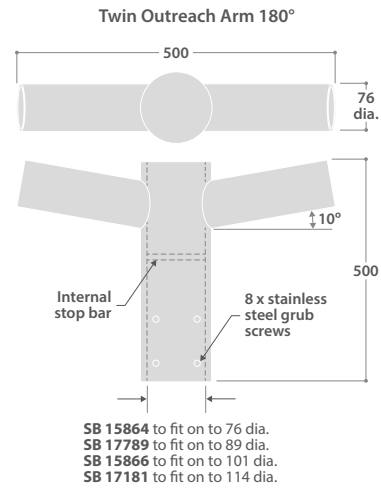
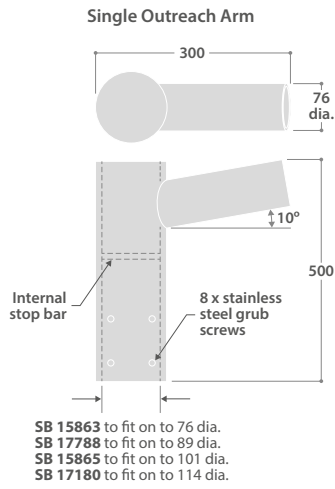
ROADWAY DISTRIBUTION

Luminaire Lumen Output:
 31W = 3340lm
 62W = 9640lm
 88W = 13725lm
 123W = 19035lm
 161W = 23865lm
 197W = 29995lm

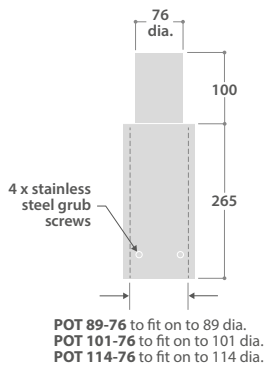


STARBEAM

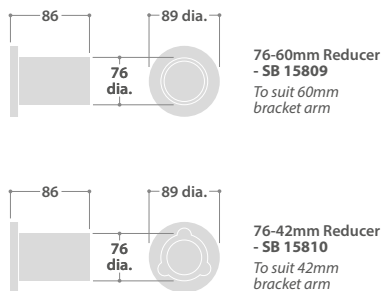
COLUMN MOUNTING OPTIONS



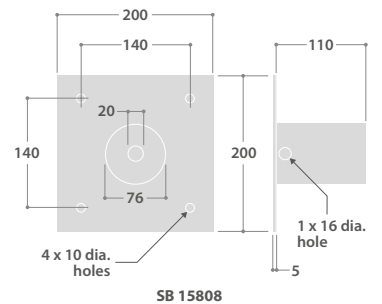
COLUMN ADAPTORS



BRACKET ARM REDUCERS



WALL MOUNTING BRACKET



For further mounting and bracket options please contact our Technical Department

STARBEAM COLUMNS

COLUMNS SPECIFICATION

- Stepped tubular galvanised steel columns, to BS EN 40-2:2004
- Mounting accessories are hot dip galvanised to BS EN ISO 1461:2009
- Supplied with wooden baseboard for mounting cable connection accessories
- Accessories are easily fixed with stainless steel grub screws and have an internal stop to ensure cable exit

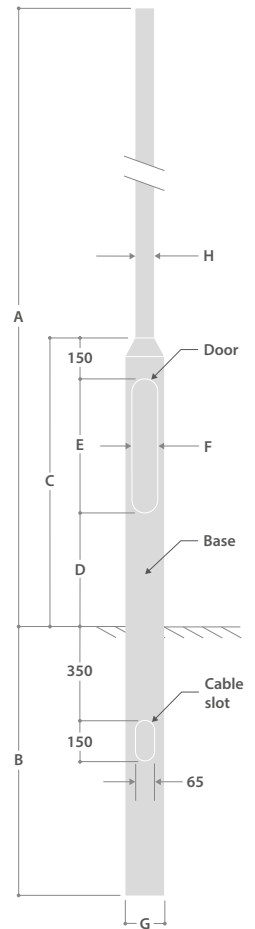
UK DELIVERY

Columns are delivered to site at a pre-arranged time. An off-loading service is not included and it is the responsibility of the client (or client's agent) for the safe undertaking of this requirement. A fork lift truck is recommended to minimise manual handling.

COLUMN RANGE

NOMINAL HEIGHT	CAT. No.	PLANTING DEPTH	BASE HEIGHT	DOOR HEIGHT	DOOR DIMENSIONS		BASE DIAMETER	SHAFT DIAMETER	APPROX. kg	BASEBOARD SIZE
A		B	C	D	E	F	G	H		
Single and Twin Starbeam Standard Columns										
4m	FC4	800	925	300	500	100	140	76	33	89 (w) x 500 (h)
5m	FC5	800	925	300	500	100	140	76	40	89 (w) x 500 (h)
6m	FC6	1000	925	300	500	100	140	76	44	89 (w) x 500 (h)
8m	FC8	1200	1200	400	600	115	168	114 ■	100	89 (w) x 600 (h)
10m	FC10	1500	1300	500	600	115	168	114 ■	142	89 (w) x 600 (h)
Triple and Quad Starbeam Medium Duty Columns										
4m	FC4/89	800	1280	300	600	115	168	89	60	89 (w) x 500 (h)
5m	FC5/89	800	1280	300	600	115	168	89	64	89 (w) x 500 (h)
6m	FC6/89	1000	1280	300	600	115	168	89	68	89 (w) x 500 (h)
8m	FC8	1200	1200	400	600	115	168	114 ■	100	89 (w) x 600 (h)
10m	FC10	1500	1300	500	600	115	168	114 ■	142	89 (w) x 600 (h)

■ Reduced at top to 101mm to accept accessories



ORDERING INFORMATION

	SINGLE COLUMN MOUNT	SINGLE OUTREACH ARM	TWIN OUTREACH ARM 180°	TWIN OUTREACH ARM 90°	TRIPLE OUTREACH ARM 120°	QUAD OUTREACH ARM N-S-E-W
Mounting Height	Column Adaptor	Column Bracket	Column Bracket	Column Bracket	Column Bracket	Column Bracket
4m	FC4	FC4 SB 15863	FC4 SB 15864	FC4 SB 15890K	FC4/89 SB 15896K	FC4/89 SB 15897K
5m	FC5	FC5 SB 15863	FC5 SB 15864	FC5 SB 15890K	FC5/89 SB 15896K	FC5/89 SB 15897K
6m	FC6	FC6 SB 15863	FC6 SB 15864	FC6 SB 15890K	FC6/89 SB 15896K	FC6/89 SB 15897K
8m	FC8 POT 101-76	FC8 SB 15865	FC8 SB 15866	FC8 SB 15893K	FC8 SB 15894K	FC8 SB 15895K
10m	FC10 POT 101-76	FC10 SB 15865	FC10 SB 15866	FC10 SB 15893K	FC10 SB 15894K	FC10 SB 15895K