

ELBA

Family of indoor spotlights for accent lighting.

The luminaire is rotatable by 90° vertically and 355° horizontally to allow the free orientation of the light in any direction.

The heat dissipation structure and built-in driver are combined in an integrated design with a compact and minimal aesthetic.

The light beam angle is adjustable to meet any lighting requirement.



DIMMABLE TRIAC | 2700K

LAMPING

Source	LED spot
Total power	13W
Emission	Direct adjustable 15°-55°
Switching	Dimmable triac
Tension	220/240V
Color temperature	2700K
Luminous flux	900lm
Typ CRI	> 90
Energy class	A+
IP class	20
Dimensions	ø5,6x15cm
Materials	Aluminum
Notes	compatible with track 3~230V
Net lamp weight	0,52 kg

Codes

ELB LW2 81
ELB LN2 81

Structure

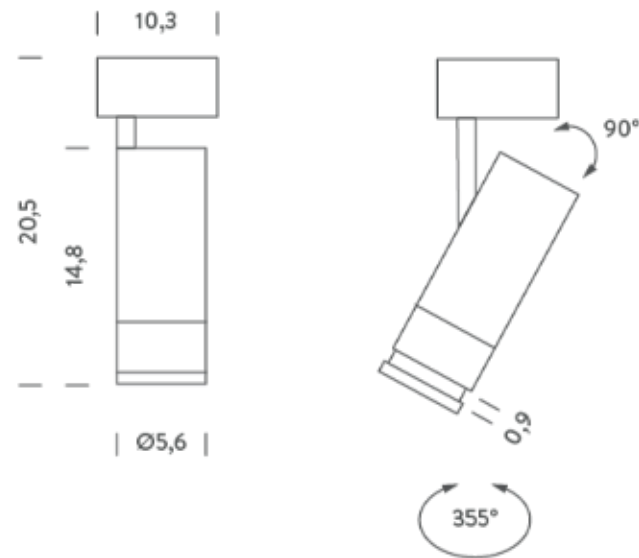
white
black

PACKAGE

Package 01

Dimension: 39,8x39,8x24,8 cm / Gross weight: 0,65 kg

Certificazioni



DIMMABLE TRIAC | 3000K

LAMPING

Source	LED spot
Total power	13W
Emission	Direct adjustable 15°-55°
Switching	Dimmable triac
Tension	220/240V
Color temperature	3000K
Luminous flux	900lm
Typ CRI	> 90
Energy class	A+
IP class	20
Dimensions	ø5,6x15cm
Materials	Aluminum
Notes	compatible with track 3~230V
Net lamp weight	0,52 kg

Codes

ELB LW3 81
ELB LN3 81

Structure

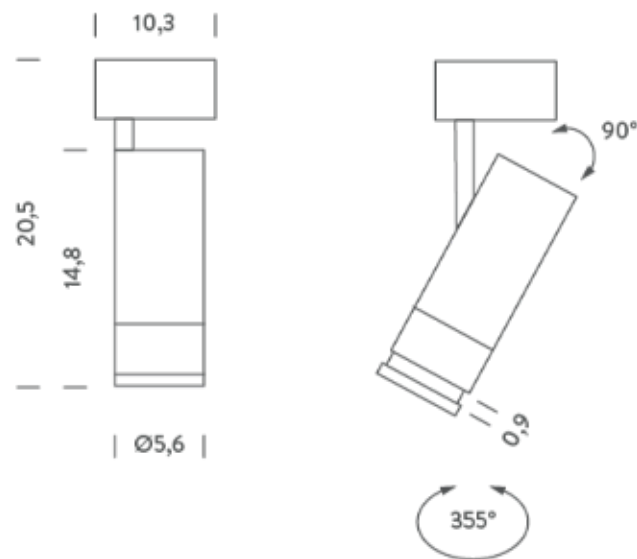
white
black

PACKAGE

Package 01

Dimension: 39,8x39,8x24,8 cm / Gross weight: 0,65 kg

Certificazioni



DIMMABLE 0-10V | 2700K

LAMPING

Source	LED spot
Total power	13W
Emission	Direct adjustable 15°-55°
Switching	Dimmable 0-10V
Tension	220/240V
Color temperature	2700K
Luminous flux	900lm
Typ CRI	> 90
Energy class	A+
IP class	20
Dimensions	ø5,6x15cm
Materials	Aluminum
Notes	compatible with track 3~230V
Net lamp weight	0,52 kg

Codes

ELB LW2 82
ELB LN2 82

Structure

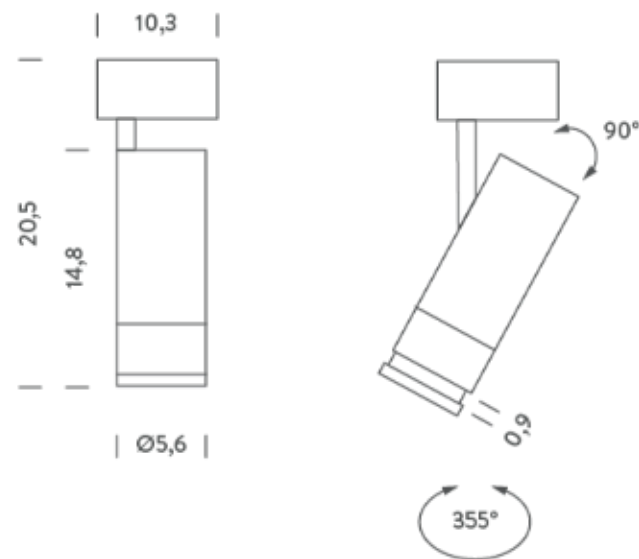
white
black

PACKAGE

Package 01

Dimension: 39,8x39,8x24,8 cm / Gross weight: 0,65 kg

Certificazioni



DIMMABLE 0-10V | 3000K

LAMPING

Source	LED spot
Total power	13W
Emission	Direct adjustable 15°-55°
Switching	Dimmable 0-10V
Tension	220/240V
Color temperature	3000K
Luminous flux	900lm
Typ CRI	> 90
Energy class	A+
IP class	20
Dimensions	ø5,6x15cm
Materials	Aluminum
Notes	compatible with track 3~230V
Net lamp weight	0,52 kg

Codes

ELB LW3 82
ELB LN3 82

Structure

white
black

PACKAGE

Package 01

Dimension: 39,8x39,8x24,8 cm / Gross weight: 0,65 kg

Certificazioni

