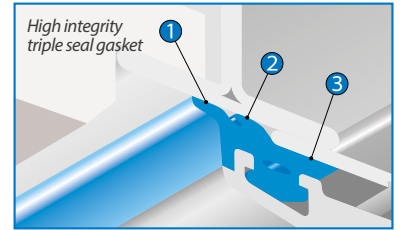
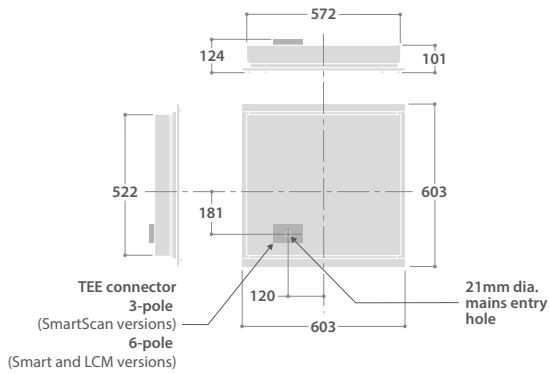


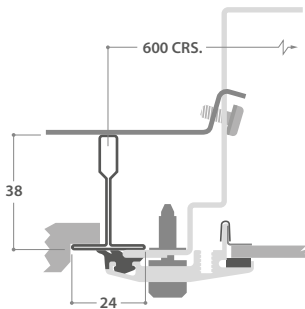
# CLEANLINE

## DIMENSIONS

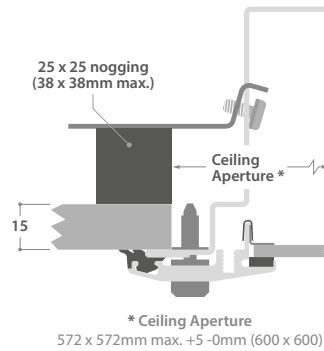


## MOUNTING ARRANGEMENTS

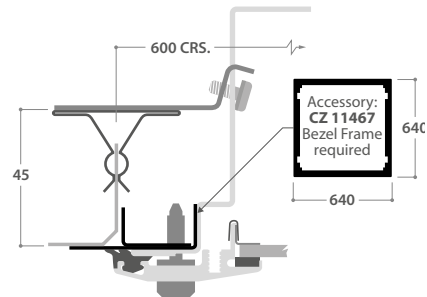
Exposed T-bar (24mm wide)



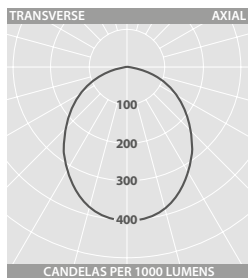
Plasterboard Ceiling



Spring Tee

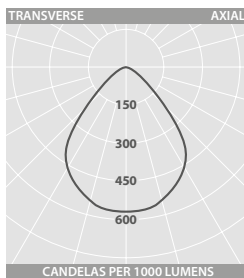


## PHOTOMETRIC GUIDE



### OPAL

CRI 80 Luminaire Lumen Output  
26W = 3490lm  
38W = 4805lm  
CRI 90 Luminaire Lumen Output  
26W = 2685lm  
38W = 3750lm



### LOW GLARE

CRI 80 Luminaire Lumen Output  
26W = 3165lm  
38W = 4365lm  
CRI 90 Luminaire Lumen Output  
26W = 2250lm  
38W = 3570lm

## ACCESSORY

DESCRIPTION	CAT. No.
Tamper-resistant key	KEY 12152

To specify tamper-resistant screws add suffix **T** to catalogue number e.g. **CZ 17002LT** etc.

**WEB LINK >**  
"PLUG AND PLAY"  
LIGHTING CABLE  
MANAGEMENT



Opal version

## CLEANROOM LED RECESSED LUMINAIRES



### SPECIFICATION

- Steel body finished full polyester, non-yellowing white
- Quick release extruded aluminium cover frame
- Satisfies the requirements of clean room classifications FS209D 10,000 and 100,000 and ISO BSEN 14644-1, 7 and 8
- Cover seals to ceiling with FDA approved silicone gasket
- Supplied with polycarbonate TP(a) fire-retardant diffuser. Low glare optics for EN12464-1 / LG7 (<math><3000\text{ cd/m}^2\text{ @ }65^\circ</math>) compliance or opal options
- Optional tamper-resistant cover screws (Requires key - see Accessory table)
- Fits most suspended ceiling types or cut apertures
- SmartScan wireless technology removes the need for control cabling. Ideal for retro-fit
- Fitted with 4000K LEDs

### LED CHARACTERISTICS

CRI	80+ / 90+
COLOUR TEMPERATURE	4000K
RATED LIFE (HOURS)	100K - L80/B10
PROTECTION	LUX GUARD
DRIVER EFFICIENCY	>85%
REPLACEABLE	YES
POWER FACTOR	>0.95

LL/CW **116.3**

For LED characteristics explanation see [www.thorlux.com/led-guide](http://www.thorlux.com/led-guide)

### RANGE

	NOMINAL SIZE (mm)	LED	LOW GLARE	OPAL	APPROX. kg	CIRCUIT
SMART	CRI 80 Versions					
	600 x 600	26W	<b>CZ 17998</b>	<b>CZ 17000</b>	7.3	D/SS
		38W	<b>CZ 17999</b>	<b>CZ 17001</b>	7.3	D/SS
	CRI 90 Versions					
600 x 600	26W	<b>CZ 19026</b>	<b>CZ 19028</b>	7.3	D/SS	
	38W	<b>CZ 19027</b>	<b>CZ 19029</b>	7.3	D/SS	
STANDARD	CRI 80 Versions					
	600 x 600	26W	<b>CZ 18000</b>	<b>CZ 17002</b>	7.2	L/A
		38W	<b>CZ 18001</b>	<b>CZ 17003</b>	7.2	L/A
	CRI 90 Versions					
	600 x 600	26W	<b>CZ 19032</b>	<b>CZ 19034</b>	7.2	L/A
		38W	<b>CZ 19033</b>	<b>CZ 19035</b>	7.2	L/A

CIRCUIT TYPE - suffix catalogue number with:

**SMART** D - Smart / SS - SmartScan

**STANDARD** L - non-dimming (LED / A - dimming (DALI) e.g. **CZ 17998SS** etc.

EMERGENCY VERSION - prefix catalogue number with:

**ECZ** - Emergency (Not available when selecting the 'SS' suffix)

**TCZ** - AutoTest

**WCZ** - SmartScan (Only available when selecting the 'SS' suffix)

e.g. **WCZ 17998SS** etc.

Add 0.7kg to weights listed.



Low glare version

### SmartScan Configurations



Find out more at [www.thorlux.com/smartsan](http://www.thorlux.com/smartsan)