



रा

★starbeam

TL Thorlux
Lighting



attractive
...in many ways



A range of power levels, two optical distribution types and two body sizes provide every option necessary for car park, general amenity and road lighting applications.

The new Starbeam range of precision engineered LED area floodlights and streetlights takes external lighting to a new dimension in terms of efficiency (up to 112 lumens per circuit watt) and longevity (up to 100,000 hours). This is achieved through significant investment in high quality die-cast heat sinks and in house manufactured printed circuit boards positioning the very latest top brand LEDs within precise acrylic lenses.



Starbeam uses high power white LEDs mounted to low thermal resistant aluminium clad purpose designed circuit boards.

As standard, the Thorlux designed and manufactured LED circuit boards contain over-voltage protection diodes and individual LED protection so that if a single LED, or solder joint fails, other LEDs will continue to operate. These thermally efficient LED circuit boards coupled with potted, robust, exceptionally efficient, long life electronic LED drivers, provide a 100,000 hour system life.

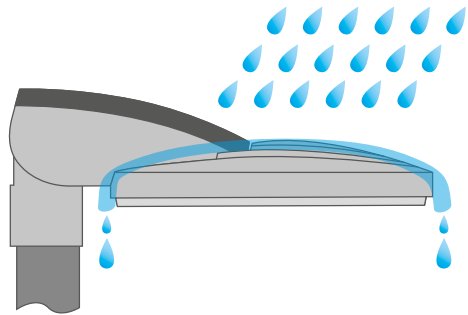
Individual sophisticated acrylic lenses direct the light downwards where it is needed for increased uniformity, for either area or roadway distribution.

Starbeam is fitted with a UV stabilised polycarbonate cover providing mechanical protection for the LEDs. The IP66 enclosure on the standard version excludes water, dust, dirt and insects maintaining optical efficiency throughout the product's lifetime.



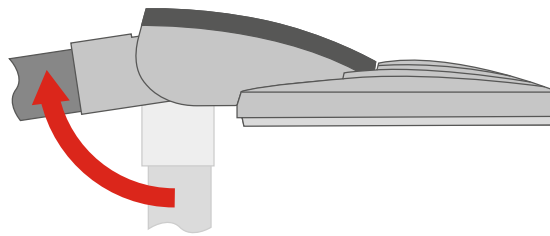


1



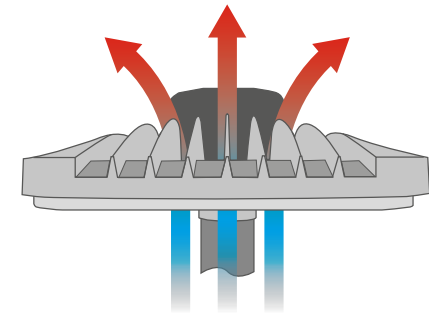
“Free draining” curved heat sink eliminates ponding of fluids

2



Integral adjustable mounting spigot allows easy retrofit on to a wide range of columns and brackets whilst maintaining 0° elevation

3

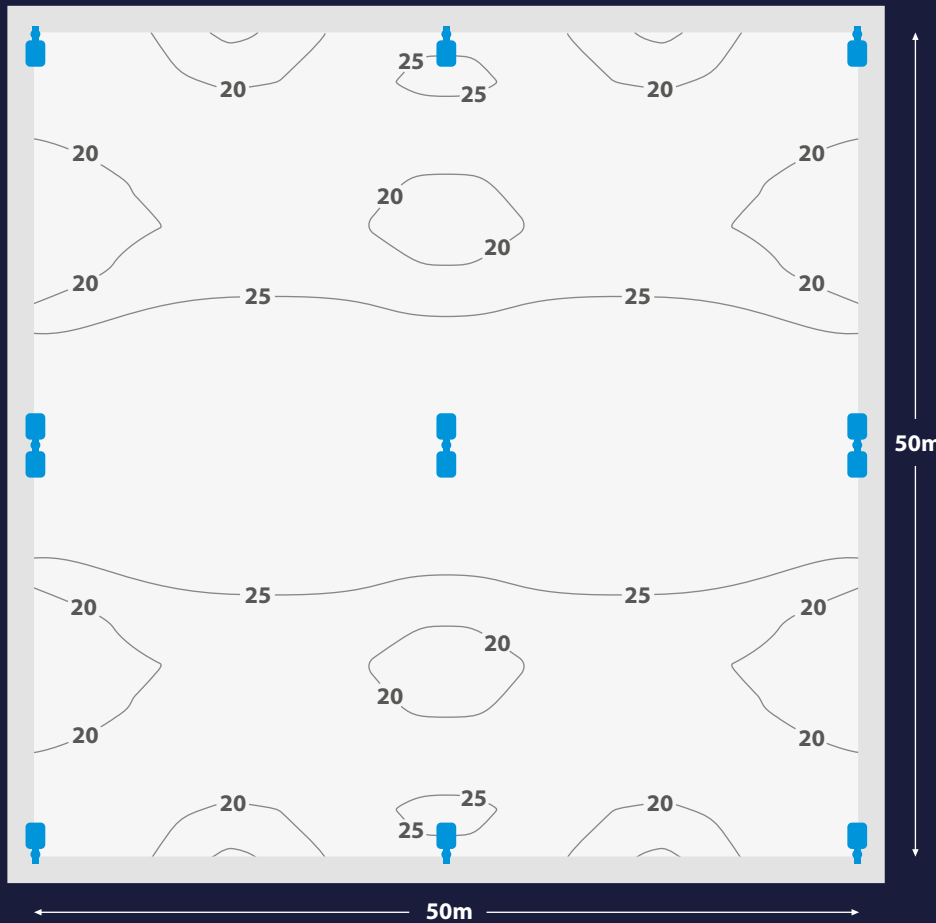


Heat dissipation fins combined with air flow between heat sink and gear compartment extends control gear lifetime



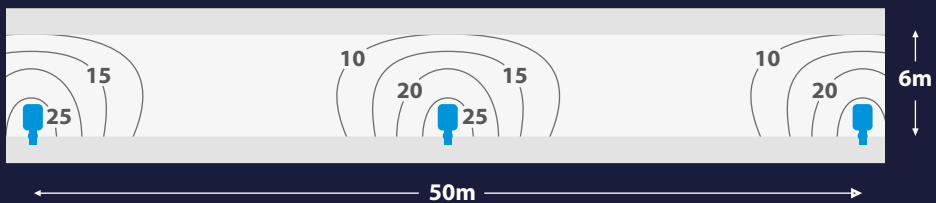
impressive
performance characteristics

★ typical spacing guide



area distribution

88W LED / 8m mounting height / 25 x 25m spacing -
Average illuminance = 25 lux / Uniformity = 0.63



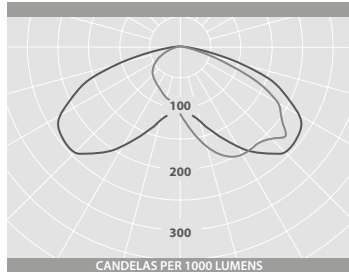
roadway distribution

31W LED / 6m mounting height / 25m spacing -
Average illuminance = 12 lux / Uniformity = 0.43



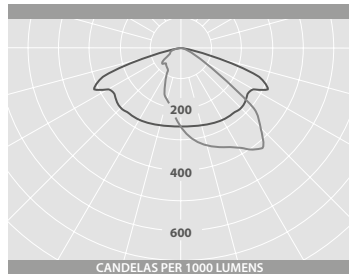
PHOTOMETRIC GUIDE

AREA DISTRIBUTION



Luminaire Lumen Output:
 31W = 3500lm
 62W = 6750lm
 88W = 10150lm
 123W = 13550lm
 161W = 17250lm
 197W = 21200lm

ROADWAY DISTRIBUTION



Luminaire Lumen Output:
 31W = 3700lm
 62W = 7100lm
 88W = 10700lm
 123W = 14250lm
 161W = 18150lm
 197W = 22300lm

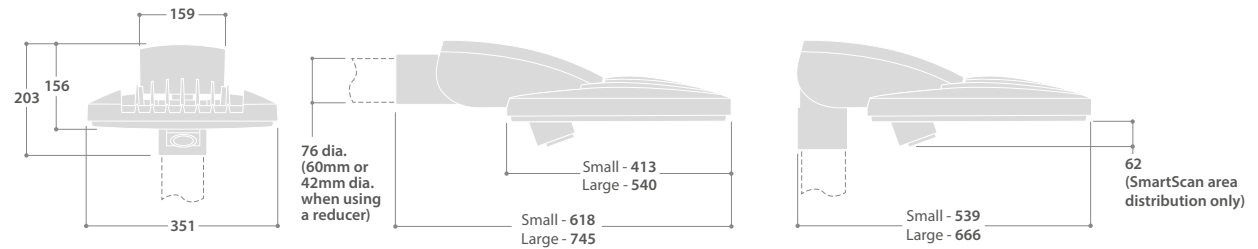
OPTIONS

DESCRIPTION	SUFFIX	EXAMPLE
Photocell	PC	SB 17553LPC



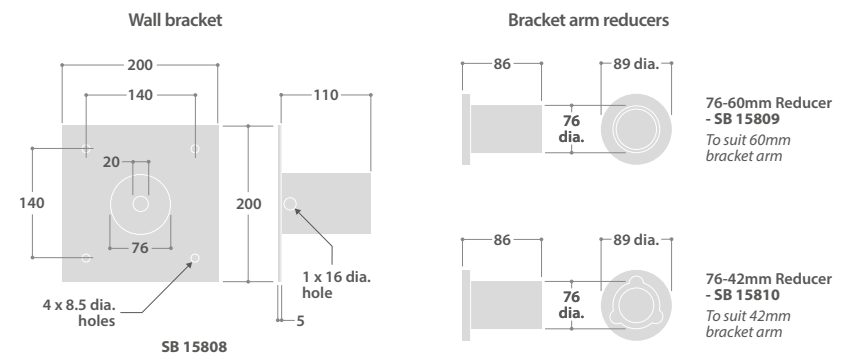
Columns p12 / Mounting Options p14

DIMENSIONS



ACCESSORIES

DESCRIPTION	CAT. No.
Wall mounting bracket	SB 15808
76mm to 60mm reducer kit	SB 15809
76mm to 42mm reducer kit	SB 15810
76mm to 34mm reducer kit	SB 16358
89mm to 76mm reducer kit	POT 89-76
101mm to 76mm reducer kit	POT 101-76
114mm to 76mm reducer kit	POT 114-76



For further bracket options please contact our Technical Department

SPECIFICATION

- Die-cast aluminium body and gear compartment finished polyester silver RAL9006
- Die-cast aluminium, fast release gear compartment lid finished polyester graphite
- Polycarbonate cover and acrylic high efficiency LED lenses
- Area or roadway optical distributions
- Integral high efficiency driver
- Extremely efficient and long system life up to 100,000 hours
- Suitable for ambient temperatures up to 50°C (excluding 197W versions)
- Smart External versions with intelligent lighting control for use up to 12 metres mounting height
- SmartScan wireless technology removes the need for control cabling. Ideal for retro-fit
- Pole top 76mm as standard, adjustable through 90°
- Wall mounting bracket accessory
- Wide range of mounting options (see page 14 for details)
- Photocell option
- Fitted with 4000K LEDs

RANGE

	LED	AREA DISTRIBUTION	ROADWAY DISTRIBUTION	APPROX. kg
SMART EXTERNAL	Small Version			
	31W	SB 18340SS	SB 18345SS	8.2
	62W	SB 18341SS	SB 18346SS	8.2
	88W	SB 19661SS	SB 19664SS	8.2
	123W	SB 19662SS	SB 19665SS	8.2
	Large Version			
	161W	SB 18344SS	SB 18349SS	9.4
197W	SB 19663SS	SB 19666SS	9.4	
STANDARD	Small Version			
	31W	SB 17553L	SB 17561L	8.0
	62W	SB 17554L	SB 17562L	8.0
	88W	SB 19667L	SB 19670L	8.0
	123W	SB 19668L	SB 19671L	8.0
	Large Version			
	161W	SB 18350L	SB 18351L	9.2
197W	SB 19669L	SB 19672L	9.2	

CIRCUIT TYPE -

- SMART EXTERNAL** SS - SmartScan
- STANDARD** L - non-dimming (LED)

EMERGENCY VERSION (31W, 62W & 88W) - prefix catalogue number with:
WSB - SmartScan (Only available when selecting the 'SS' suffix) e.g. **WSB 18340SS** etc.
 Add 0.3kg to weights listed.

NOTE: - Emergency versions not suitable for high ambient temperatures
 - Glass version available to special order

IP66 IP65 SMART VERSION IK10 CE LED
 WINDAGE - small: 0.06m² large: 0.07m²



LED CHARACTERISTICS

CRI	70+
COLOUR TEMPERATURE	4000K
RATED LIFE (HOURS)	100K - L90/B10
PROTECTION	LED PROTECT
DRIVER EFFICIENCY	>90%
REPLACEABLE	YES
POWER FACTOR	>0.9

LL/CW 112.0

For LED characteristics explanation see www.thorlux.com/led-guide

SmartScan Configurations

Find out more at www.thorlux.com/smartsan

COLUMNS SPECIFICATION

- Stepped tubular galvanised steel columns, to BS EN 40-2:2004
- Mounting accessories are hot dip galvanised to BS EN ISO 1461:2009
- Black bitumen external coating to root
- Supplied with wooden baseboard for mounting cable connection accessories
- Accessories are easily fixed with stainless steel grub screws and have an internal stop to ensure cable exit

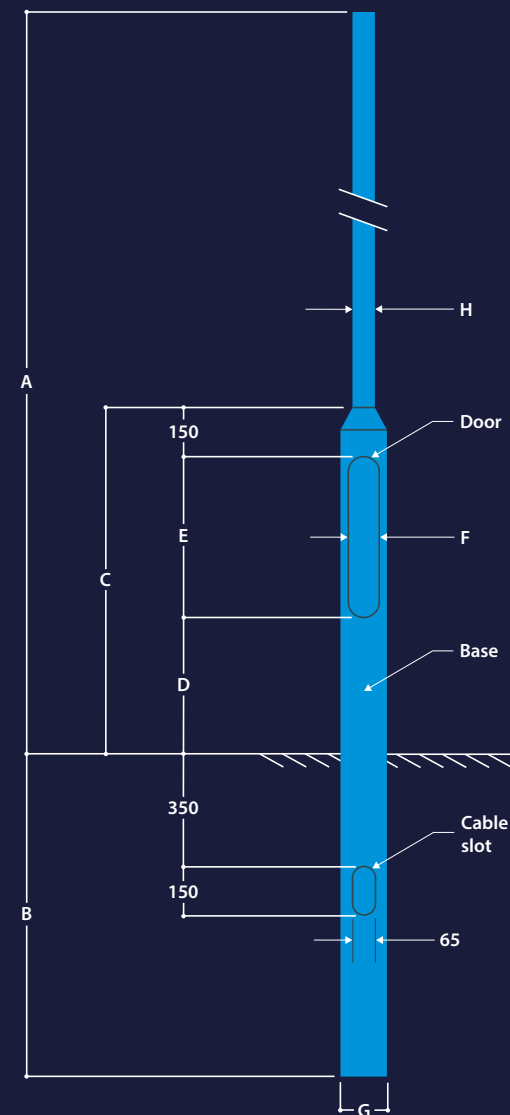
UK DELIVERY

Columns are delivered to site at a pre-arranged time. An off-loading service is not included and it is the responsibility of the client (or client's agent) for the safe undertaking of this requirement. A fork lift truck is recommended to minimise manual handling.

COLUMN RANGE

NOMINAL HEIGHT	CAT. No.	PLANTING DEPTH	BASE HEIGHT	DOOR HEIGHT	DOOR DIMENSIONS		BASE DIAMETER	SHAFT DIAMETER	APPROX. kg	BASEBOARD SIZE
A		B	C	D	E	F	G	H		
Single and Twin Starbeam Standard Columns										
4m	FC4	800	925	300	500	100	140	76	33	89 (w) x 500 (h)
5m	FC5	800	925	300	500	100	140	76	40	89 (w) x 500 (h)
6m	FC6	1000	925	300	500	100	140	76	44	89 (w) x 500 (h)
8m	FC8	1200	1200	400	600	115	168	114 ■	100	89 (w) x 600 (h)
10m	FC10	1500	1300	500	600	115	168	114 ■	142	89 (w) x 600 (h)
Triple and Quad Starbeam Medium Duty Columns										
4m	FC4/89	800	1280	300	600	115	168	89	60	89 (w) x 500 (h)
5m	FC5/89	800	1280	300	600	115	168	89	64	89 (w) x 500 (h)
6m	FC6/89	1000	1280	300	600	115	168	89	68	89 (w) x 500 (h)
8m	FC8	1200	1200	400	600	115	168	114 ■	100	89 (w) x 600 (h)
10m	FC10	1500	1300	500	600	115	168	114 ■	142	89 (w) x 600 (h)







■ Reduced at top to 101mm to accept accessories



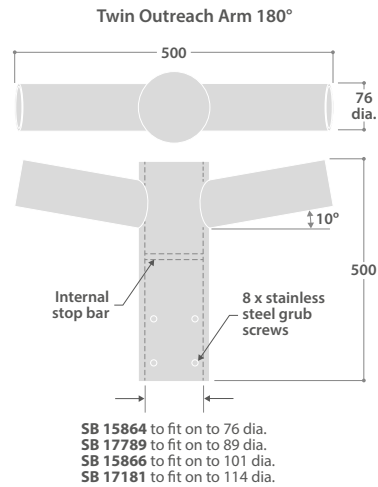
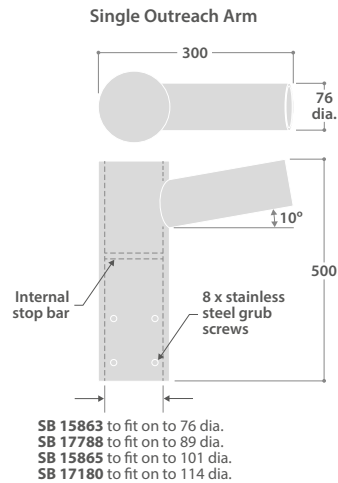
flexibility
without compromise

★ mounting options

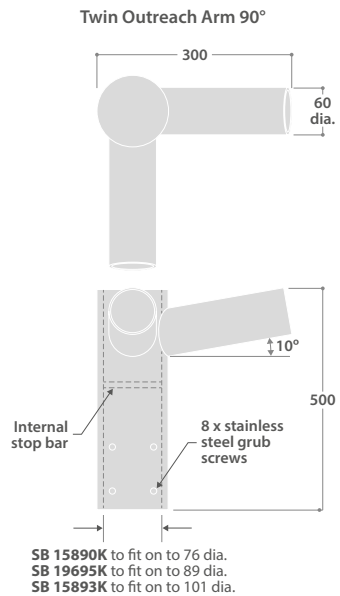
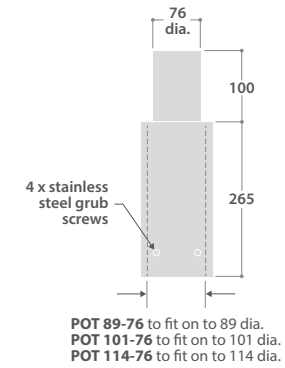
ORDERING INFORMATION

	SINGLE COLUMN MOUNT	SINGLE OUTREACH ARM	TWIN OUTREACH ARM 180°	TWIN OUTREACH ARM 90°	TRIPLE OUTREACH ARM 120°	QUAD OUTREACH ARM N-S-E-W
						
Mounting Height	Column Adaptor	Column Bracket	Column Bracket	Column Bracket	Column Bracket	Column Bracket
4m	FC4	FC4 SB 15863	FC4 SB 15864	FC4 SB 15890K	FC4/89 SB 15896K	FC4/89 SB 15897K
5m	FC5	FC5 SB 15863	FC5 SB 15864	FC5 SB 15890K	FC5/89 SB 15896K	FC5/89 SB 15897K
6m	FC6	FC6 SB 15863	FC6 SB 15864	FC6 SB 15890K	FC6/89 SB 15896K	FC6/89 SB 15897K
8m	FC8 POT 114-76	FC8 SB 15865	FC8 SB 15866	FC8 SB 15893K	FC8 SB 15894K	FC8 SB 15895K
10m	FC10 POT 114-76	FC10 SB 15865	FC10 SB 15866	FC10 SB 15893K	FC10 SB 15894K	FC10 SB 15895K

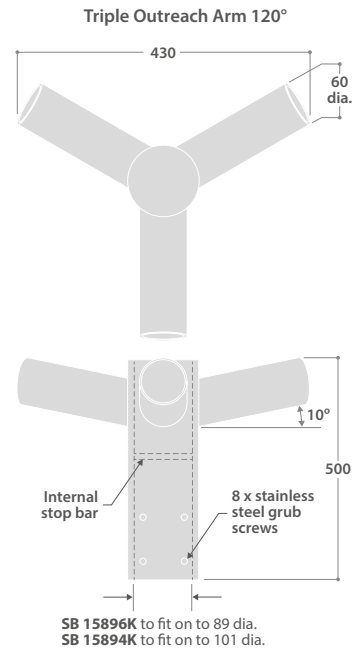
MOUNTING OPTIONS



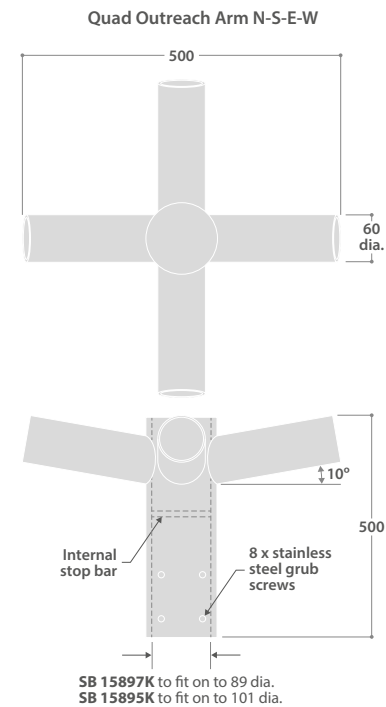
COLUMN ADAPTORS



Supplied with 2 x 76mm to 60mm reducer kits (SB 15809)



Supplied with 3 x 76mm to 60mm reducer kits (SB 15809)



Supplied with 4 x 76mm to 60mm reducer kits (SB 15809)

For further mounting options please contact our Technical Department



Designers, manufacturers and suppliers
of professional lighting systems

INDUSTRIAL LUMINAIRES
COMMERCIAL LUMINAIRES
FLOODLIGHTING LUMINAIRES
ARCHITECTURAL LUMINAIRES
HEALTHCARE LUMINAIRES
HAZARDOUS AREA LUMINAIRES
RETAIL AND DISPLAY LUMINAIRES
CONTROLS AND SYSTEMS

A DIVISION OF FW THORPE PLC

Thorlux Carbon Offsetting Project:
www.thorlux.com/trees

The information given in this catalogue is typical and must not be interpreted as a guarantee of individual product performance and/or characteristics. We reserve the right to alter specifications and designs without prior notice.

Thorlux Lighting
Merse Road
North Moons Moat
Redditch
Worcestershire
B98 9HH
England

T +44 (0)1527 583200
F +44 (0)1527 584177
E thorlux@thorlux.co.uk
W www.thorlux.com

Direct UK Sales Line: 01527 583222

Thorlux Lighting Ireland
Unit G6
Riverview Business Park
Nangor Road
Gallanstown
Dublin 12
Ireland

T +353 (0)1 460 4608
F +353 (0)1 460 4609
E thorlux@thorlux.ie
W www.thorlux.ie

Thorlux Lighting Deutschland
Ernst Gnoß Strasse 7
40219 Düsseldorf
Deutschland

T +49 (0)211 695 603-10
F +49 (0)211 695 603-11
E thorlux@thorlux.de
W www.thorlux.de

Thorlux Lighting Australasia Pty Ltd.
31 Cross Street
Brookvale
Sydney
NSW 2100
Australia

T 1300 04 32 32
T +61 (0)2 9907 1261
E thorlux@thorlux.com.au
W www.thorlux.com.au

Registered No. ABN 139 400 507

Thorlux Lighting LLC
Office 334
European Business Centre
Green Community
Dubai Investment Park 1
PO Box 33484
Dubai
United Arab Emirates

T +971 (0)2 654 4060
E sales@thorlux.ae
W www.thorlux.ae

