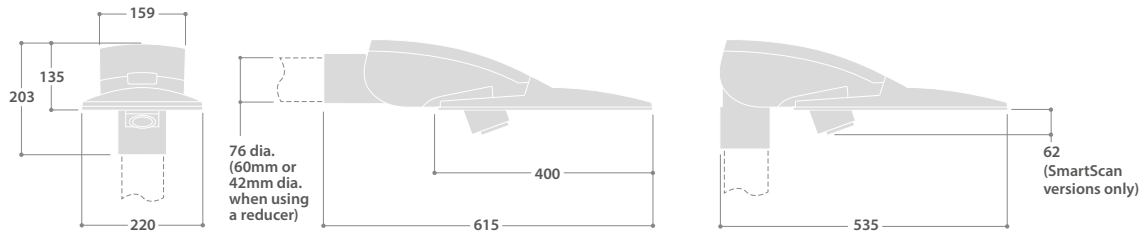
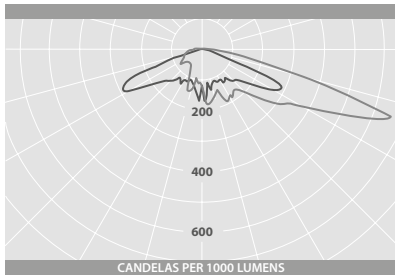


STARBEAM ECO

DIMENSIONS

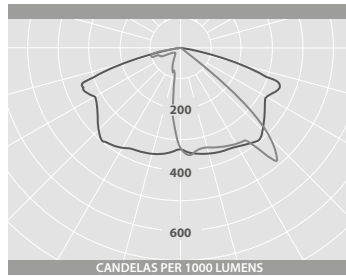


PHOTOMETRIC GUIDE



AREA DISTRIBUTION

Luminaire Lumen Output:
31W = 4135lm
48W = 6745lm



ROADWAY DISTRIBUTION

Luminaire Lumen Output:
31W = 4225lm
48W = 6890lm

OPTIONS

DESCRIPTION	SUFFIX	EXAMPLE
Photocell	PC	SB 19677LPC

ACCESSORIES - see page 3





LED FLOODLIGHTS AND STREET LIGHTS

IP66 IP65 SMART VERSION IK08 CE LED

WINDAGE - 0.06m²

SPECIFICATION

- Die-cast aluminium body and gear compartment finished polyester silver RAL 9006
- Die-cast aluminium, fast release gear compartment lid finished polyester graphite
- Acrylic high efficiency LED lenses
- Area or roadway optical distributions
- Integral high efficiency driver
- Extremely efficient and long system life up to 100,000 hours
- Smart External versions with intelligent lighting control for use up to 12 metres mounting height
- SmartScan wireless technology removes the need for control cabling. Ideal for retro-fit
- Pole top 76mm as standard, adjustable through 90°
- Wall mounting bracket accessory
- Wide range of mounting options (see page 3 for details)
- Photocell option
- Fitted with 4000K LEDs

LED CHARACTERISTICS

CRI	70+
COLOUR TEMPERATURE	4000K
RATED LIFE (HOURS)	100K - L90/B10
PROTECTION	LED PROTECT
DRIVER EFFICIENCY	>90%
REPLACEABLE	YES
POWER FACTOR	>0.9

LL/CW 135.1

For LED characteristics explanation see www.thorlux.com/led-guide

RANGE

	LED	AREA DISTRIBUTION	ROADWAY DISTRIBUTION	APPROX. kg
SMART EXTERNAL	31W	SB 19673SS	SB 19675SS	5.0
	48W	SB 19674SS	SB 19676SS	5.2
STANDARD	31W	SB 19677L	SB 19679L	4.8
	48W	SB 19678L	SB 19680L	5.0

CIRCUIT TYPE -

SMART EXTERNAL SS - SmartScan
STANDARD L - non-dimming (LED)

EMERGENCY VERSION - prefix catalogue number with:

WSB - SmartScan (Only available when selecting the 'SS' suffix) e.g. WSB 19673SS etc. Add 0.3kg to weights listed.



Smart External version

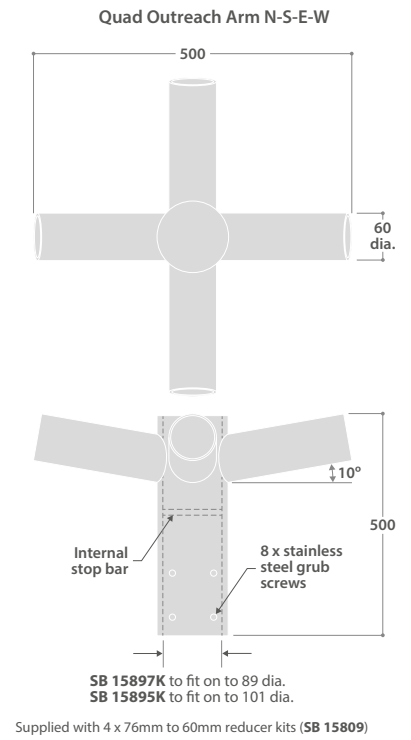
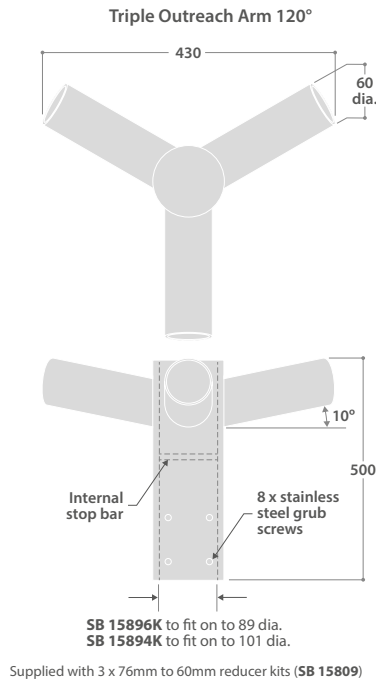
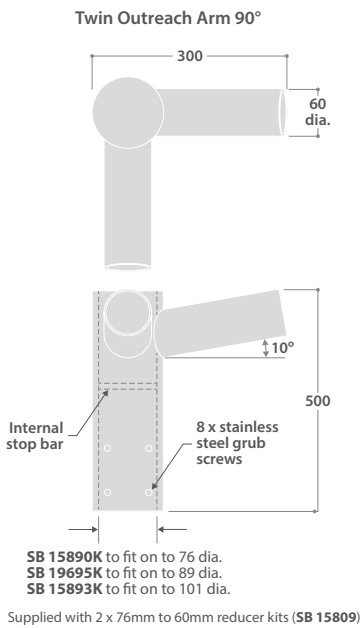
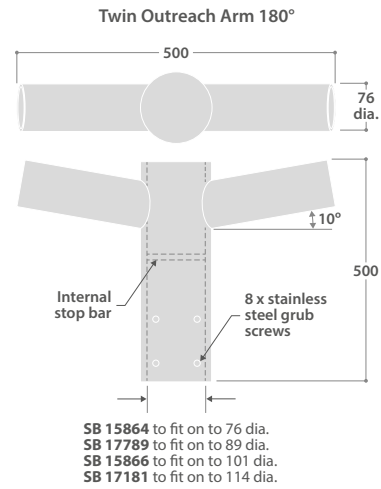
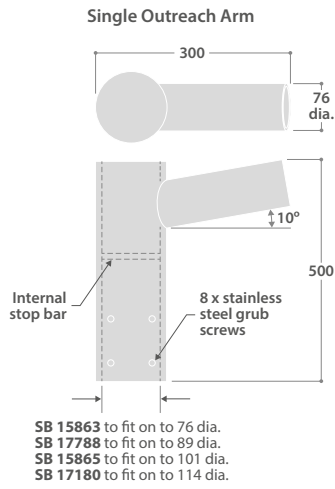
SmartScan Configurations



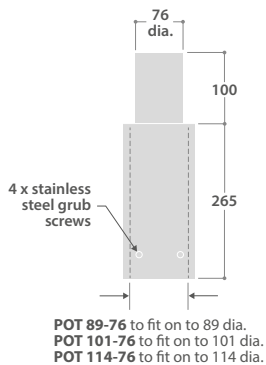
Find out more at www.thorlux.com/smartsan

STARBEAM ECO

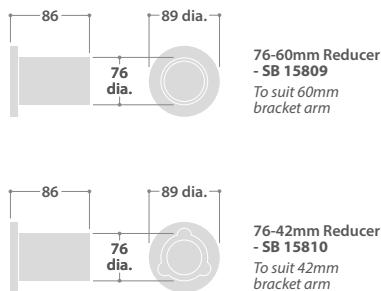
COLUMN MOUNTING OPTIONS



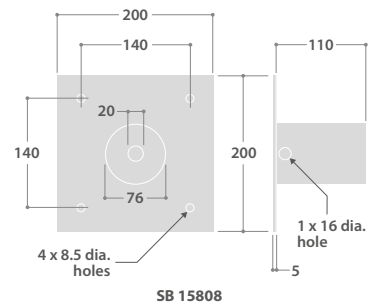
COLUMN ADAPTORS



BRACKET ARM REDUCERS



WALL MOUNTING BRACKET



For further mounting and bracket options please contact our Technical Department

STARBEAM ECO COLUMNS

COLUMNS SPECIFICATION

- Stepped tubular galvanised steel columns, to BS EN 40-2:2004
- Mounting accessories are hot dip galvanised to BS EN ISO 1461:2009
- Black bitumen external coating to root
- Supplied with wooden baseboard for mounting cable connection accessories
- Accessories are easily fixed with stainless steel grub screws and have an internal stop to ensure cable exit

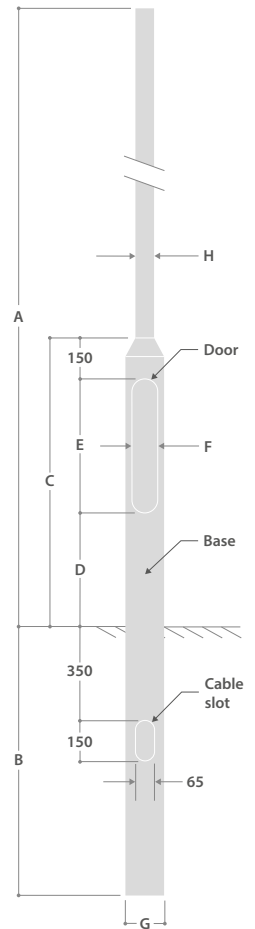
UK DELIVERY

Columns are delivered to site at a pre-arranged time. An off-loading service is not included and it is the responsibility of the client (or client's agent) for the safe undertaking of this requirement. A fork lift truck is recommended to minimise manual handling.

COLUMN RANGE

NOMINAL HEIGHT	CAT. No.	PLANTING DEPTH	BASE HEIGHT	DOOR HEIGHT	DOOR DIMENSIONS		BASE DIAMETER	SHAFT DIAMETER	APPROX. kg	BASEBOARD SIZE
A		B	C	D	E	F	G	H		
Single and Twin Starbeam Standard Columns										
4m	FC4	800	925	300	500	100	140	76	33	89 (w) x 500 (h)
5m	FC5	800	925	300	500	100	140	76	40	89 (w) x 500 (h)
6m	FC6	1000	925	300	500	100	140	76	44	89 (w) x 500 (h)
8m	FC8	1200	1200	400	600	115	168	114 ■	100	89 (w) x 600 (h)
10m	FC10	1500	1300	500	600	115	168	114 ■	142	89 (w) x 600 (h)
Triple and Quad Starbeam Medium Duty Columns										
4m	FC4/89	800	1280	300	600	115	168	89	60	89 (w) x 500 (h)
5m	FC5/89	800	1280	300	600	115	168	89	64	89 (w) x 500 (h)
6m	FC6/89	1000	1280	300	600	115	168	89	68	89 (w) x 500 (h)
8m	FC8	1200	1200	400	600	115	168	114 ■	100	89 (w) x 600 (h)
10m	FC10	1500	1300	500	600	115	168	114 ■	142	89 (w) x 600 (h)

■ Reduced at top to 101mm to accept accessories



ORDERING INFORMATION

	SINGLE COLUMN MOUNT	SINGLE OUTREACH ARM	TWIN OUTREACH ARM 180°	TWIN OUTREACH ARM 90°	TRIPLE OUTREACH ARM 120°	QUAD OUTREACH ARM N-S-E-W
Mounting Height	Column Adaptor	Column Bracket	Column Bracket	Column Bracket	Column Bracket	Column Bracket
4m	FC4	FC4 SB 15863	FC4 SB 15864	FC4 SB 15890K	FC4/89 SB 15896K	FC4/89 SB 15897K
5m	FC5	FC5 SB 15863	FC5 SB 15864	FC5 SB 15890K	FC5/89 SB 15896K	FC5/89 SB 15897K
6m	FC6	FC6 SB 15863	FC6 SB 15864	FC6 SB 15890K	FC6/89 SB 15896K	FC6/89 SB 15897K
8m	FC8 POT 114-76	FC8 SB 15865	FC8 SB 15866	FC8 SB 15893K	FC8 SB 15894K	FC8 SB 15895K
10m	FC10 POT 114-76	FC10 SB 15865	FC10 SB 15866	FC10 SB 15893K	FC10 SB 15894K	FC10 SB 15895K