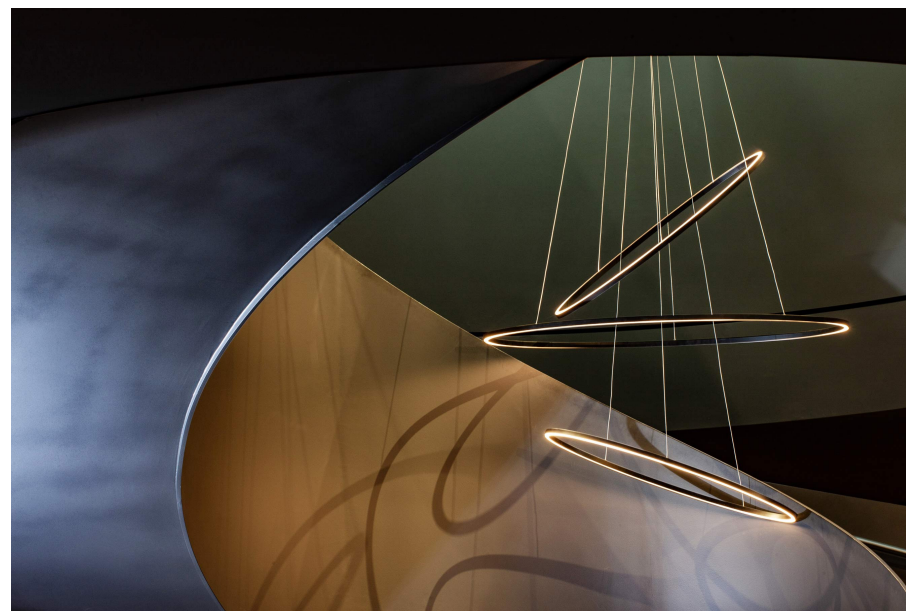


# ELLISSE PENDANT TRIPLE

*Federico Palazzari*

LED pendant lamp, available in five versions: major, minor and double, triple and mega, widespread direct or indirect lighting. Extruded aluminium painted matt white or matt black, polished or glossy gold anodized. Opaline diffuser. Ellisse is manufactured through a proprietary technology to combine the extruded bars (patent pending). Major version available also for wall and floor applications, with a marble base on the floor version and with a wall kit mounting on the wall one.



## LED 2700K

### LAMPING

Source	linear LED
Total power	90W
Emission	diffused
Switching	dimmable 1-10V
Tension	110 / 230 V
Color temperature	2700K
Luminous flux	9300lm
Typ cri	80
Energy class	A+
Notes	minor uplight-major/minor downlight, cable length 2,5m, adjustable cable length up to 0,4 m

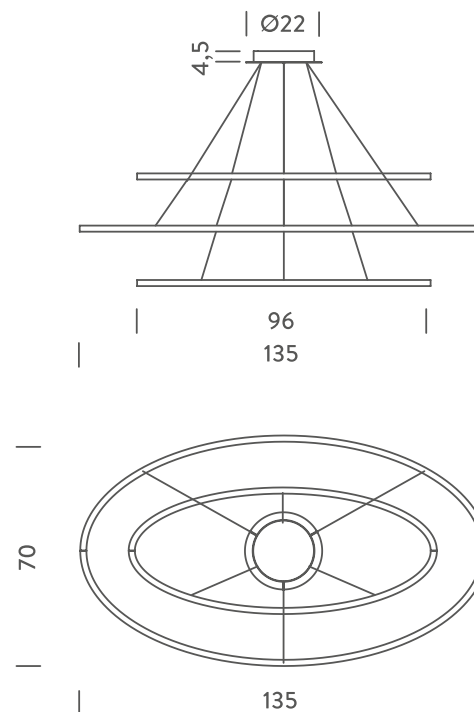
### Codes

ELP LW2 57	white/white
ELP LN2 57	black/white
ELP LO2 57	gold painted/white
ELP LGW 57	gold polished anodized/white
ELP LL2 57	polished aluminium/white

### PACKAGE

Package 01	15x80x150 cm / Gross weight: 7,5 Kg
------------	-------------------------------------

### Certificazioni



# LED 3000K

## LAMPING

Source	linear LED
Total power	92W
Emission	diffused
Switching	dimnable 1-10V
Tension	110 / 230 V
Color temperature	3000K
Luminous flux	1337+2061+1337lm (real flux)
Energy class	A+
Notes	minor uplight-major/minor downlight, cable length 2,5m, adjustable cable length up to 0,4 m

## Codes

ELP LLW 57  
ELP LOW 57  
ELP LNW 57  
ELP LWW 57

## Structure/Diffuser

polished aluminium/white  
gold painted/white  
black/white  
white/white

## PACKAGE

Package 01 15x80x150 cm / Gross weight: 7,5 Kg

## Certificazioni

