

XL-20

LED LIGHT ENGINE

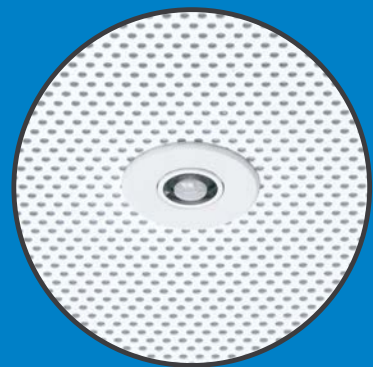
The Thorlux light engine uses the very latest medium power LEDs placed onto specially designed circuit boards having excellent thermal management and using our patented current sharing technology. Each group of LEDs is placed in a highly reflective light chamber behind a highly light transmissive satin panel producing low glare white light. The four versions operate at 860mA, 625mA, 430mA or 345mA - 40W, 29W, 20W and 16W respectively. A truly fit and forget, well-engineered, dedicated LED light engine solution having a life expectancy well in excess of 90,000 hours.



Area Emergency version



Corridor Emergency version



Smart version

WEB LINK >
"PLUG AND PLAY"
LIGHTING CABLE
MANAGEMENT



SUPREME EFFICIENT LED RECESSED OFFICE VDT LUMINAIRES



SPECIFICATION

- Steel body finished full polyester non-yellowing satin white (RAL 9016)
- Shallow body depth
- 20 injection moulded LED mixing chambers with glare reducing satin diffusers
- Extremely efficient optical system - 137 lumens per "lamp" watt
- Glare cut back above 65°. LG7:2015 (<1500cd/m²@ 65°)
- Highly technical LED solution
- Emergency versions use dedicated LED downlighter
- SmartScan wireless technology removes the need for control cabling. Ideal for retro-fit
- Fitted with 4000K LEDs

LED CHARACTERISTICS

CRI	80+
COLOUR TEMPERATURE	4000K
RATED LIFE (HOURS)	95K - L80/B10
PROTECTION	LUX GUARD
DRIVER EFFICIENCY	>85%
REPLACEABLE	YES
POWER FACTOR	>0.9

LL/CW 118.5

For LED characteristics explanation see www.thorlux.com/led-guide

SmartScan Configurations



Find out more at www.thorlux.com/smartsan

RANGE

	NOMINAL SIZE (mm)	LED	CAT. No.	APPROX. kg	CIRCUIT
SMART	600 x 600	16W	XL 18306	4.9	D/SS
		20W	XL 18307	4.9	D/SS
		29W	XL 18308	4.9	D/SS
		40W	XL 18309	4.9	D/SS
STANDARD	600 x 600	16W	XL 18310	4.8	L/A
		20W	XL 18311	4.8	L/A
		29W	XL 18312	4.8	L/A
		40W	XL 18313	4.8	L/A

EMERGENCY RANGE

	NOMINAL SIZE (mm)	LED	AREA VERSION	CORRIDOR VERSION	APPROX. kg	CIRCUIT
SMART	600 x 600	16W	XL 18314	XL 18322	5.4	D/SS
		20W	XL 18315	XL 18323	5.4	D/SS
		29W	XL 18316	XL 18324	5.4	D/SS
		40W	XL 18317	XL 18325	5.4	D/SS
STANDARD	600 x 600	16W	XL 18318	XL 18326	5.3	L/A
		20W	XL 18319	XL 18327	5.3	L/A
		29W	XL 18320	XL 18328	5.3	L/A
		40W	XL 18321	XL 18329	5.3	L/A

CIRCUIT TYPE - suffix catalogue number with:

SMART D - Smart / **SS** - SmartScan
STANDARD L - non-dimming (LED) / A - dimming (DALI) e.g. **XL 18306SS** etc.

EMERGENCY VERSION - prefix catalogue number with:

EXL - Emergency / **TXL** - AutoTest / **WXL** - SmartScan e.g. **EXL 18314SS** etc.

ACCESSORY

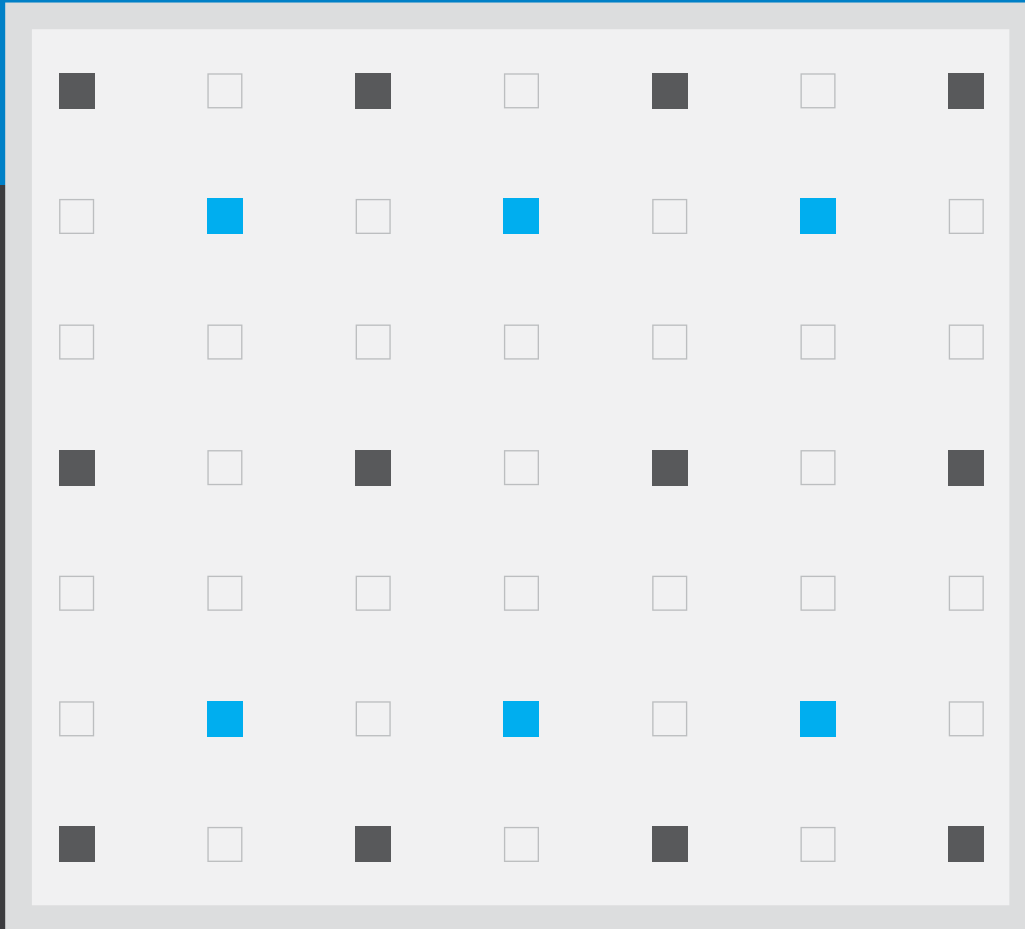
DESCRIPTION	CAT. No.
Optional side arm suspension kit ▲	XL 15402

▲ 4 arms per kit - not required for lay-in mounting

Typical Emergency Lighting Application

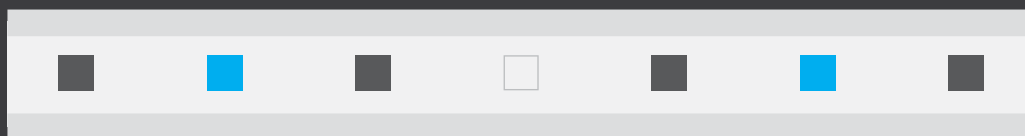
Emergency versions use a tried and tested dedicated LED Downlighter mounted within the central panel. Sophisticated lens technology, illuminated only during mains failure, transmits light at higher angles than would normally be acceptable in VDT areas. Wider spacings mean fewer emergency luminaires are required reducing capital, maintenance and installation costs. Emergency versions are also available as Stand-alone AutoTest and full SmartScan wireless communication compatible.

AREA

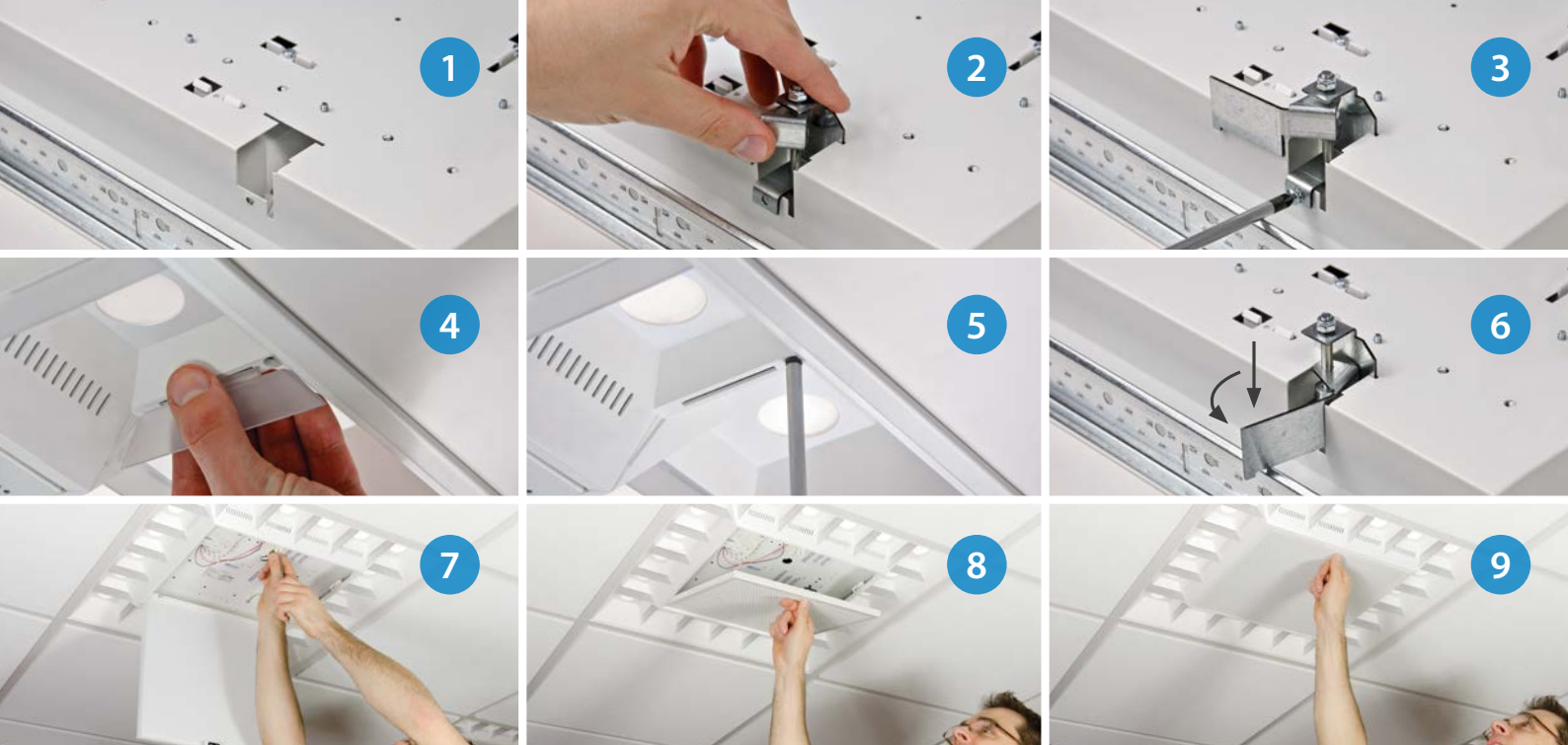


- "Conventional" 14W emergency fluorescent (12 required)
- XL-20 with dedicated LED Downlighter (area lens) (6 required)

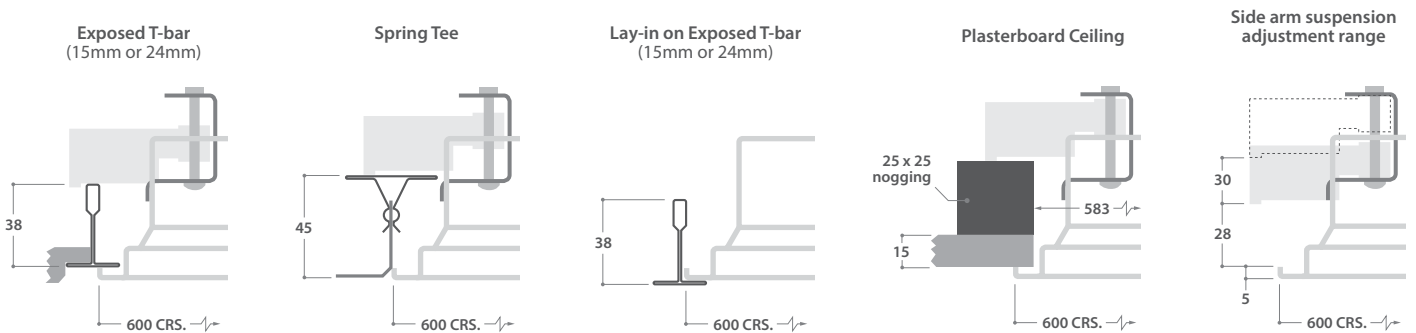
CORRIDOR



- "Conventional" 14W emergency fluorescent (4 required)
- XL-20 with dedicated LED Downlighter (corridor lens) (2 required)



MOUNTING ARRANGEMENTS

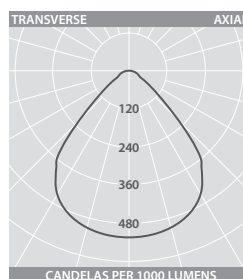


PERFORMANCE GUIDE

Typical task area illuminance assuming an open area with good reflection factors, 0.85 maintenance factor and a 2.65 metre ceiling height.

	LED	SPACING (Metres)	LUX AVERAGE 70/50/20	LUX AVERAGE 80/60/30
OPEN PLAN	16W	3.0 x 3.0	245	275
		3.0 x 2.4	300	335
		2.4 x 2.4	365	410
	20W	3.0 x 3.0	300	340
		3.0 x 2.4	370	415
		2.4 x 2.4	450	505
	29W	3.0 x 3.0	410	460
		3.0 x 2.4	500	565
	40W	2.4 x 2.4	615	690
		3.0 x 3.0	535	605
		3.0 x 2.4	655	740
			2.4 x 2.4	805

PHOTOMETRIC GUIDE



Luminaire Lumen Output:
 16W = 2200lm
 20W = 2725lm
 29W = 3705lm
 40W = 4835lm

DIMENSIONS

