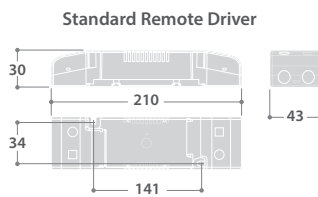
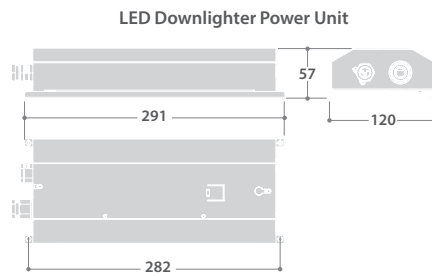
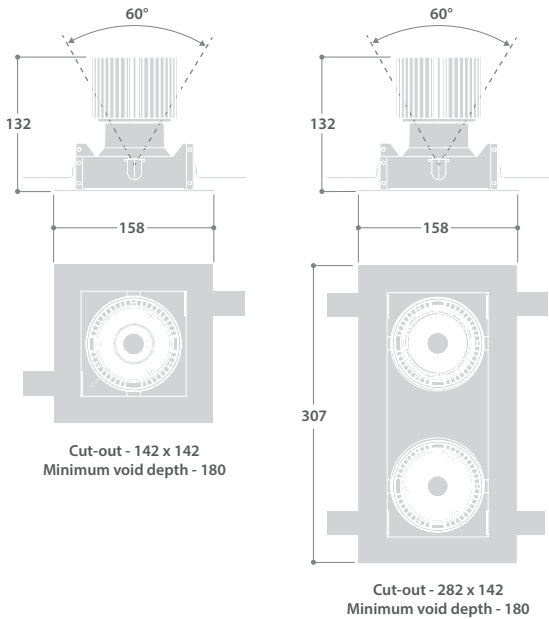




DIMENSIONS



LED CHARACTERISTICS

CRI	90+
COLOUR TEMPERATURE	3000/4000K
RATED LIFE (HOURS)	50K - L70/B10
PROTECTION	-
DRIVER EFFICIENCY	>80%
REPLACEABLE	-
POWER FACTOR	>0.9
LL/CW	92.6

For LED characteristics explanation see www.thorlux.com/led-guide



ADJUSTABLE RECESSED ACCENT GIMBALS

IP20 CE LED

SPECIFICATION

- Steel body/chassis finished full polyester satin white
- High pressure die-cast aluminium gimbal body finished full polyester satin white
- Black and silver finishes available to special order*
- 30° and 38° beam angle versions
- Adjustable spots with tilt in all directions
- Triple or quad head versions available to special order*
- Injection moulded, black, anti-glare reflector bezel
- Supplied with remote gear unit fitted with 2m lead
- Luminaires can be supplied pre-wired with a purpose made 1m connection lead for plugging directly into the Smart Hub
- Fitted with CRI 90 LEDs with enhanced R9 value. Suitable for retail applications
- CRI 80 available*
- 3000K and 4000K versions

*Minimum order quantity applies

RANGE

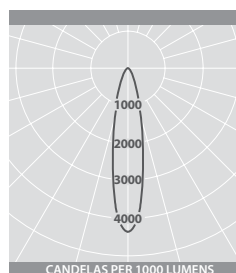
LED	30° BEAM	38° BEAM	APPROX. kg	CIRCUIT
Single Version				
14W - 3000K	SOL 17800	SOL 17804	1.5	L/A
20W - 3000K	SOL 17801	SOL 17805	1.5	L/A
14W - 4000K	SOL 17802	SOL 17806	1.5	L/A
20W - 4000K	SOL 17803	SOL 17807	1.5	L/A
Twin Version				
2x 14W - 3000K	SOL 17808	SOL 17812	2.3	L/A
2x 20W - 3000K	SOL 17809	SOL 17813	2.3	L/A
2x 14W - 4000K	SOL 17810	SOL 17814	2.3	L/A
2x 20W - 4000K	SOL 17811	SOL 17815	2.3	L/A

CIRCUIT TYPE - suffix catalogue number with:

L - non-dimming (LED) / **A** - dimming (DALI) e.g. **SOL 17800L** etc.

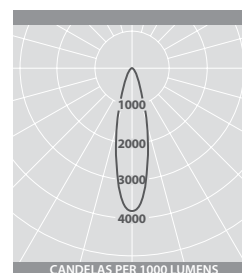
HUB VERSIONS - suffix catalogue number with **SHL** e.g. **SOL 17800SHL**

PHOTOMETRIC GUIDE



30° BEAM

LED	3000K (lm)	4000K (lm)
14W	1445	1555
20W	1980	2130



38° BEAM

LED	3000K (lm)	4000K (lm)
14W	1430	1540
20W	1960	2110