

PITCH-L



## TRACK MOUNTED ADJUSTABLE SPOTLIGHTS



### SPECIFICATION

- Extruded aluminium gear enclosure finished full polyester satin white
- High pressure die-cast aluminium spotlight body finished full polyester satin white
- Black and silver finishes available to special order\*
- 17°, 28° and 41° beam angle versions
- 355° azimuth adjustment
- 180° vertical adjustment
- Injection moulded, black, anti-glare reflector bezel
- Designed for installation into 3-Circuit or DALI 3-Circuit track
- Fitted with CRI 90 LEDs with enhanced R9 value. Suitable for retail applications
- CRI 80 available\*
- 3000K and 4000K versions

\*Minimum order quantity applies

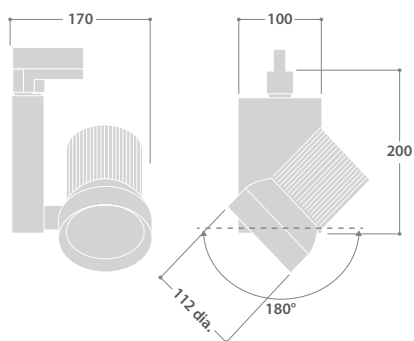
### LED CHARACTERISTICS

CRI	90+
COLOUR TEMPERATURE	3000/4000K
RATED LIFE (HOURS)	50K - L70/B10
PROTECTION	-
DRIVER EFFICIENCY	>80%
REPLACEABLE	-
POWER FACTOR	>0.9

**LL/CW** **97.3**

For LED characteristics explanation see [www.thorlux.com/led-guide](http://www.thorlux.com/led-guide)

### DIMENSIONS

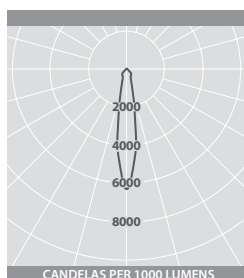


### RANGE

LED	17° BEAM	28° BEAM	41° BEAM	APPROX. kg	CIRCUIT
14W - 3000K	PTC 18120	PTC 18128	PTC 18136	1.6	L/A
20W - 3000K	PTC 18121	PTC 18129	PTC 18137	1.6	L/A
28W - 3000K	PTC 18122	PTC 18130	PTC 18138	1.6	L/A
35W - 3000K	PTC 18123	PTC 18131	PTC 18139	1.6	L/A
14W - 4000K	PTC 18124	PTC 18132	PTC 18140	1.6	L/A
20W - 4000K	PTC 18125	PTC 18133	PTC 18141	1.6	L/A
28W - 4000K	PTC 18126	PTC 18134	PTC 18142	1.6	L/A
35W - 4000K	PTC 18127	PTC 18135	PTC 18143	1.6	L/A

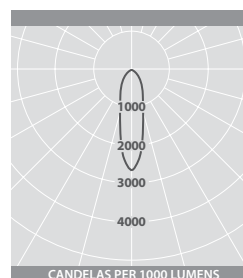
CIRCUIT TYPE - suffix catalogue number with:  
**L** - non-dimming (LED) / **A** - dimming (DALI) e.g. **PTC 18120L** etc.

### PHOTOMETRIC GUIDE



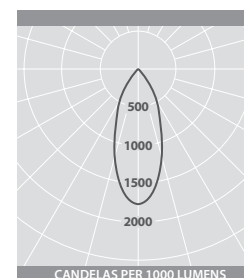
17° BEAM

LED	3000K (lm)	4000K (lm)
14W	1455	1565
20W	2170	2335
28W	2720	2925
35W	3370	3625



28° BEAM

LED	3000K (lm)	4000K (lm)
14W	1330	1430
20W	1980	2130
28W	2485	2670
35W	3075	3305



41° BEAM

LED	3000K (lm)	4000K (lm)
14W	1410	1515
20W	1960	2110
28W	2460	2645
35W	3045	3275