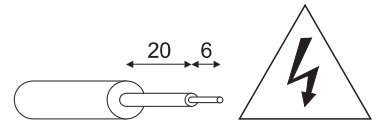
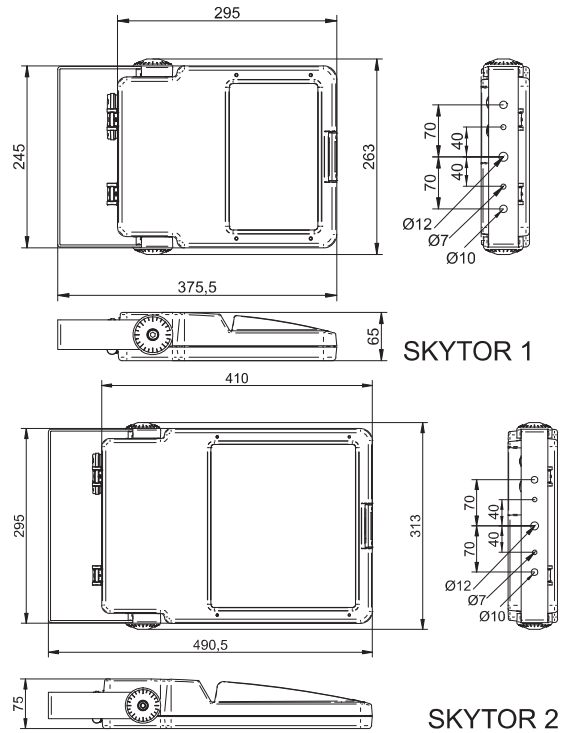


SKYTOR



AS = Asymmetrical
M = Symmetrical medium
W = Symmetrical wide

		W	Kg.	m ²	
SKYTOR 1 6 NW/AS	220-240V 50-60Hz	52	4,200	0,070	0,9
SKYTOR 1 6 NW/M	220-240V 50-60Hz	52	4,200	0,070	1,6
SKYTOR 1 6 NW/W	220-240V 50-60Hz	52	4,200	0,070	0,9
SKYTOR 1 8 NW/AS	220-240V 50-60Hz	67	4,200	0,070	0,9
SKYTOR 1 8 NW/M	220-240V 50-60Hz	67	4,200	0,070	1,6
SKYTOR 1 8 NW/W	220-240V 50-60Hz	67	4,200	0,070	0,9
SKYTOR 2 12 NW/AS	220-240V 50-60Hz	104	7,300	0,120	1,0
SKYTOR 2 12 NW/M	220-240V 50-60Hz	104	7,300	0,120	1,6
SKYTOR 2 12 NW/W	220-240V 50-60Hz	104	7,300	0,120	1,0
SKYTOR 2 16 NW/AS	220-240V 50-60Hz	133	7,300	0,120	1,0
SKYTOR 2 16 NW/M	220-240V 50-60Hz	133	7,300	0,120	1,6
SKYTOR 2 16 NW/W	220-240V 50-60Hz	133	7,300	0,120	1,0



GB LED FLOODLIGHT INSTRUCTIONS FOR USE

During installation and maintenance pay attention that electronic control gear components and led modules don't get in touch with water or other liquids. Universal installation height. Fix the floodlight with minimum two M8 stainless steel bolts and tighten them with a torque of about 8 Nm. Under operation in presence of vibrations it is recommended use of vibration dampers. Connect electrically the floodlight to a supply cable with 2 cores plus earth avoiding cable richness, unsheathing the cores 2 cm and stripping 6 mm. The yellow-green earth conductor shall be connected to the clamp marked with \perp . If luminaire is supplied in a dimmable version, connect control signal cables to terminal block clamps marked "1" and "2", being "1" the eventual positive clamp. Between driver primary and control signal terminals a basic insulation is maintained. Maintenance of the declared insulation barrier for the luminaire can also be dependent on other external components/products connected to the same control bus. This is the responsibility of the control system designer, not the luminaire manufacturer. Cable gland must be accurately pressed and can be adjusted for cables with \varnothing in the 7-13 mm range. In case it is needed to service the floodlight disconnect it from the network before opening the frontal glass frame hinge. The distance between the floodlight and the lighted object or surface must not be less than 0,5 meters ($\perp_{0,5m}$). The luminaire should be positioned so that prolonged staring into the luminaire at a distance in meters closer than that indicated from symbol \perp in the table is not expected. When installed with glass upward facing the floodlight must be tilted at least 5 degrees to avoid water accumulation on the glass itself. Don't use the floodlight neither without the protective shield (a 4 mm thick tempered glass) nor with a damaged one. Replace any cracked protective shield. The light source contained in this luminaire shall only be replaced by the manufacturer or his service agent or a similar qualified person. The floodlight has been manufactured in compliance with current standards. Our liability is limited to the correct use of the floodlight. We suggest to store these instructions and to show them to the maintenance staff.

