

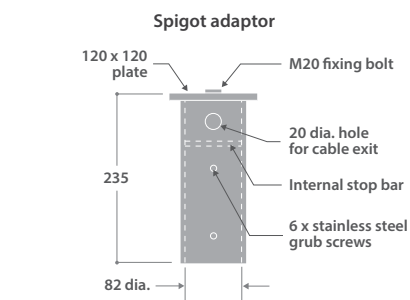
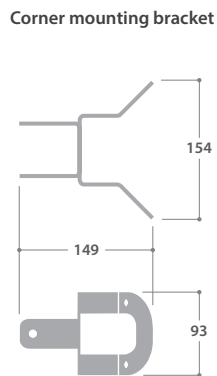
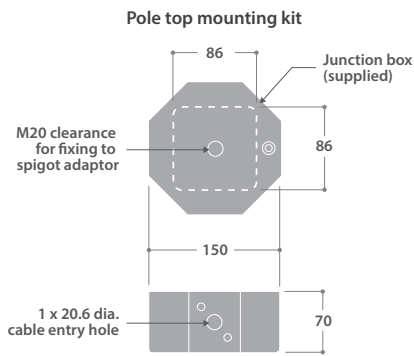
STARFLOOD



IMPRESSIVE VERSATILITY

124°

MOUNTING OPTIONS



COLOUR OPTIONS



Graphite



Silver

DESCRIPTION	CAT. No	APPROX. kg
Pole top mounting kit finished silver	STF 17330SV3	1.4
Pole top mounting kit finished graphite	STF 17330G2	1.4
Corner mounting bracket finished graphite	STF 17329G2	0.5
Galvanised spigot adaptor for 76 dia. shaft	POT-89	2.9



HIGH PERFORMANCE MINI LED FLOODLIGHTS



WINDAGE - 0.06m²

SPECIFICATION

- Graphite full polyester powder finish. Silver option RAL9006
- Strong die-cast LM6M aluminium body
- Highly impact resistant polycarbonate cover and acrylic high efficiency LED lenses
- Optional photocell control
- Smart External versions with intelligent lighting control for use up to 6 metres mounting height
- Wireless Smart TR versions remove the need for control cabling. Ideal for retro-fit solutions
- Fitted with 4000K or 5700K LEDs

LED CHARACTERISTICS

Ra	°K	L70/B10	LL/CW 109.1
70	4000/ 5700	100K	
P/U	%	R/Rx	PF
P	>85	R	0.95

For LED characteristics explanation see www.thorlux.com/led-characteristics

RANGE

	LED	4000K VERSION	5700K VERSION	APPROX. kg	CIRCUIT
SMART EXTERNAL	20W	STF 17567	STF 17410	2.3	D/TR
	34W	STF 17568	STF 17411	2.3	D/TR
STANDARD	20W	STF 17569L	STF 17413L	2.2	
	34W	STF 17570L	STF 17414L	2.2	
	42W	STF 17571L	STF 17415L	2.2	

CIRCUIT TYPE - suffix catalogue number with:

SMART D - Smart External / TR - Smart TR (Smart with wireless transceiver)

STANDARD L - non-dimming (LED) e.g. STF 17567D etc.

SILVER OPTION - add suffix SV3 e.g. STF 17567DSV3 etc.

NOTE - Smart version not suitable for uplighting applications

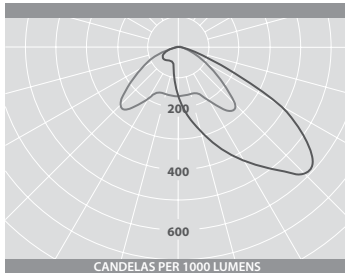
OPTIONS

DESCRIPTION	SUFFIX	EXAMPLE
Photocell	PC	STF 17569LPCSV3

STARFLOOD



PHOTOMETRIC GUIDE



LED

Luminaire Lumen Output:
 20W = 2510lm
 34W = 4050lm
 42W = 4780lm

PERFORMANCE GUIDE

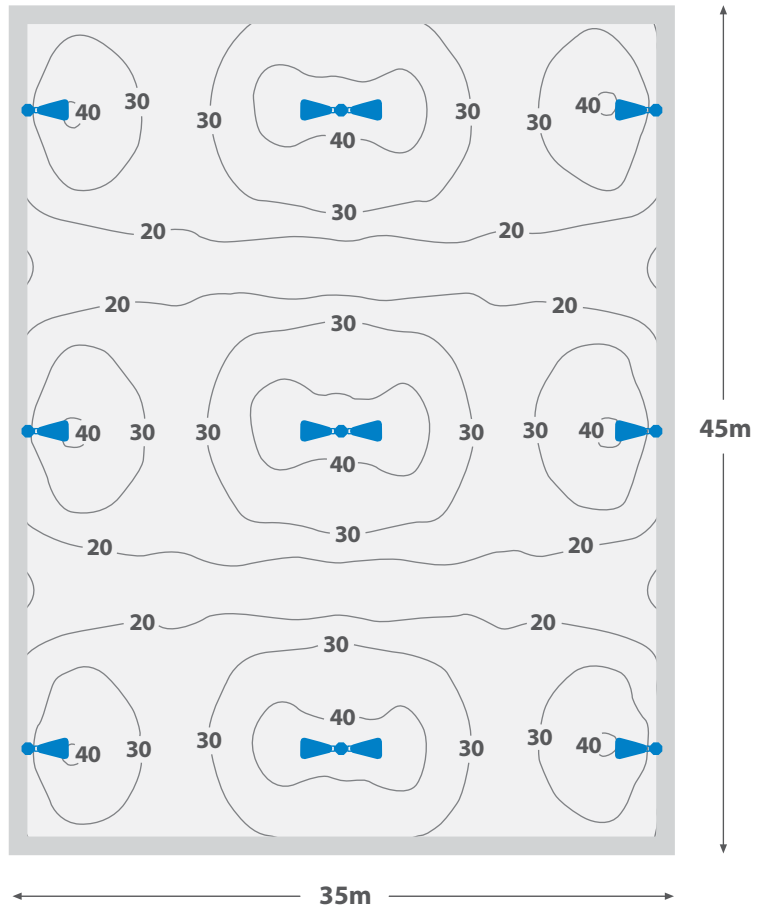
20W LED

SPACING	AVERAGE ILLUMINANCE	UNIFORMITY (min/av)
4m mounting height - 6m forward throw		
8m ctrs	36 lux	0.45
10m ctrs	29 lux	0.47
12m ctrs	24 lux	0.34
14m ctrs	21 lux	0.22
5m mounting height - 8m forward throw		
8m ctrs	28 lux	0.41
10m ctrs	22 lux	0.39
12m ctrs	18 lux	0.41
14m ctrs	16 lux	0.31
6m mounting height - 10m forward throw		
8m ctrs	22 lux	0.38
10m ctrs	18 lux	0.37
12m ctrs	15 lux	0.36
14m ctrs	13 lux	0.29

FIGURES ARE BASED ON INITIAL LUMENS

TYPICAL SPACING GUIDE

42W LED / 6m mounting height / 17.5 x 17.5m spacing -
 Average illuminance = 28 lux / Uniformity = 0.31



DIMENSIONS

