

# T H O R L U X C L O U D

A suspended cloud effect feature luminaire with very high efficiency and long life. Designed to create inspirational spaces and to provide functional lighting, the Thorlux Cloud is ideal for atrium's and large open areas.

## C L O U D 4

Producing 4,000 lumens, the Cloud 4 has a soft visual appearance ideal for lower mounting height applications. The Cloud 4 is also available with ColourActive technology for either manual or automatic colour temperature control.



## C L O U D 7

A centrally mounted light source creates a lively effect making the Cloud 7 the most striking version in the range. Producing 7,000 lumens, it is ideal for higher mounting height applications or larger spaces.



## C L O U D 10

With a highly uniform visual appearance and over 10,000 lumens, the Cloud 10 is ideal for atriums or large open spaces where decorative but also functional lighting is required.



## CLOUD EFFECT SUSPENDED FEATURE LUMINAIRES



### SPECIFICATION

- Rotationally moulded body from high strength, UV stable polyethylene (MDPE)
- Three versions available each with a unique cloud effect visual appearance
- Direct/indirect light distribution for whole room illumination
- Sealed light chamber prevents ingress of dust and insects
- Supplied with easily adjustable wire suspensions and pre-wired clear supply cable (maximum suspension distance - 4.5m)
- SmartScan wireless technology removes the need for controls cabling
- Supplied fully assembled
- Fitted with 4000K LEDs
- ColourActive version with 3000K and 6500K LEDs for colour temperature control

### SmartScan Configurations



Find out more at [www.thorlux.com/smartsan](http://www.thorlux.com/smartsan)

## RANGE

LED	STANDARD VERSION	COLOUR ACTIVE VERSION	CIRCUIT	APPROX. kg
<b>Cloud 4</b>				
29W		<b>CD 19700</b>	<b>CA / CC</b>	10.4
30W	<b>CD 19701</b>		<b>SS / A / L</b>	10.4
<b>Cloud 7</b>				
54W	<b>CD 19702</b>		<b>SS / A / L</b>	10.2
<b>Cloud 10</b>				
63W	<b>CD 19703</b>		<b>SS / A / L</b>	13.2

CIRCUIT TYPE - suffix catalogue number with:

**CA** - ColourActive / **CC** - ColourControl / **SS** - SmartScan / **A** - dimming (DALI) / **L** - non-dimming  
e.g. **CD 19700SS** etc

ColourActive, ColourControl and SmartScan versions add 0.1kg to weights listed

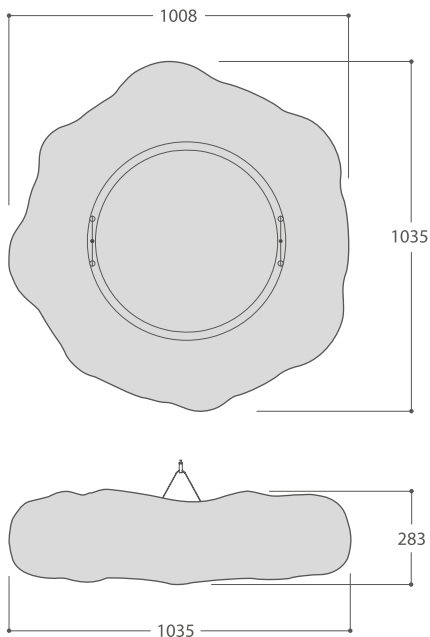
**NOTE:** SmartScan and ColourActive versions do not feature daylight dimming or presence detection.

## LED CHARACTERISTICS

	CLOUD 4	CLOUD 4 COLOUR ACTIVE	CLOUD 7	CLOUD 10
CRI	<b>80+</b>	<b>80+</b>	<b>80+</b>	<b>80+</b>
COLOUR TEMPERATURE	<b>4000K</b>	<b>3000K to 6500K</b>	<b>4000K</b>	<b>4000K</b>
RATED LIFE (HOURS)	<b>100K - L80/B10</b>	<b>100K - L80/B10</b>	<b>100K - L80/B10</b>	<b>50K - L80/B10</b>
PROTECTION	<b>LUX GUARD</b>	<b>LUX GUARD</b>	<b>LUX GUARD</b>	-
DRIVER EFFICIENCY	<b>&gt;85%</b>	<b>&gt;85%</b>	<b>&gt;85%</b>	<b>&gt;90%</b>
REPLACEABLE	<b>YES</b>	<b>YES</b>	<b>YES</b>	<b>YES</b>
POWER FACTOR	<b>&gt;0.9</b>	<b>&gt;0.9</b>	<b>&gt;0.9</b>	<b>&gt;0.9</b>
<b>LL/CW</b>	<b>122.6</b>	<b>119.1</b>	<b>121.3</b>	<b>162.0</b>

For LED characteristics explanation see [www.thorlux.com/led-guide](http://www.thorlux.com/led-guide)

## DIMENSIONS



## PHOTOMETRIC GUIDE

