

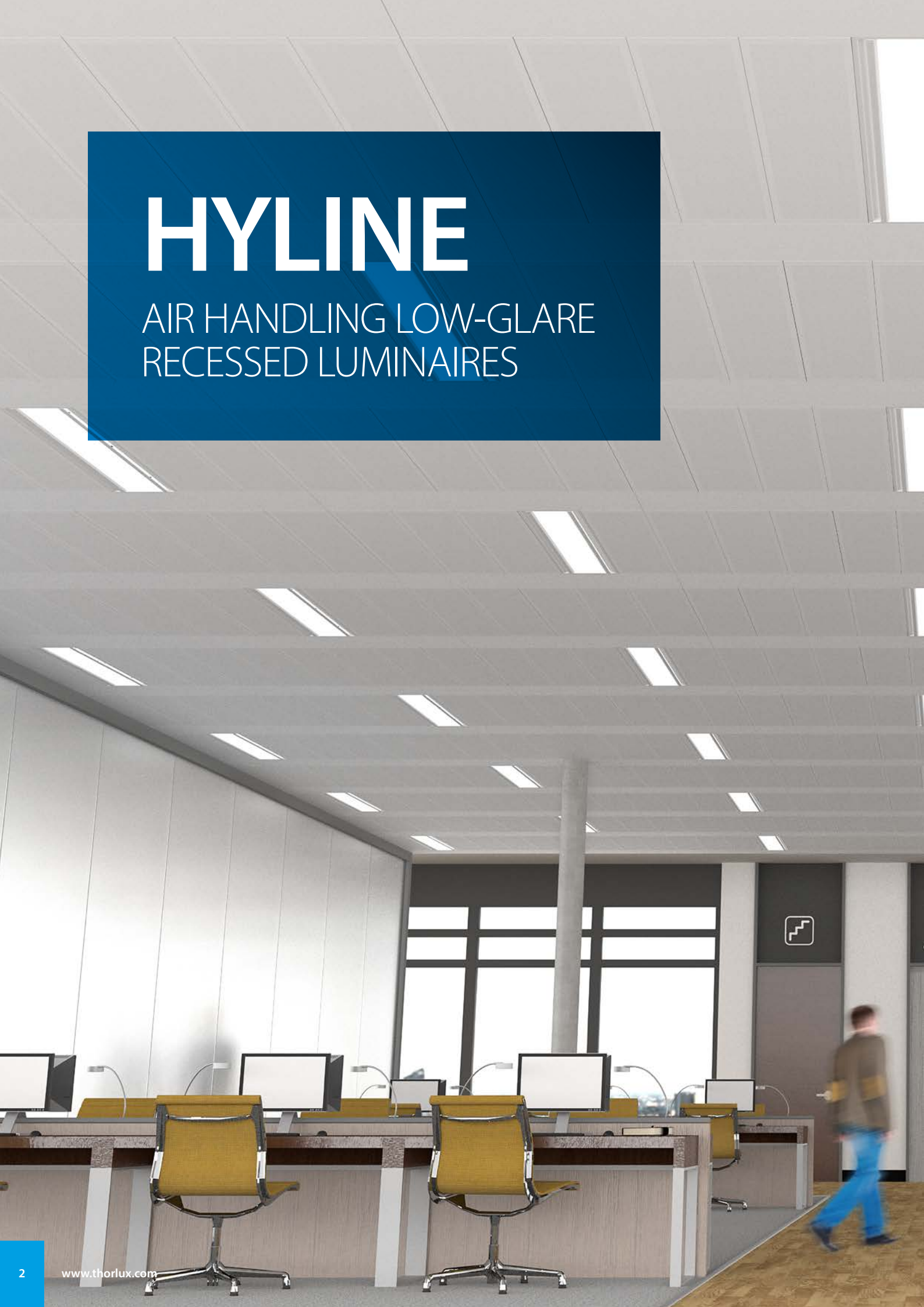


HYLINE



HYLINE

AIR HANDLING LOW-GLARE
RECESSED LUMINAIRES





↑↓
G12345678

↑↓
G12345678



**TP(a) RATED
CONSTRUCTION**

SELF EXTINGUISHING MATERIALS



**SMARTSCAN
OPTION**

INCREASED ENERGY EFFICIENCY
AND WIRELESS STATUS REPORTING



**CONCEALED
AIR-HANDLING**
UP TO 40L/S



**NANOPRISM
OPTIC**

FOR LOW GLARE COMPLIANCE



**EDGE-LIT
DIFFUSER**

HOMOGENEOUSLY LIT



AIR-HANDLING LOW-GLARE RECESSED LED LUMINAIRES FOR METAL TILE CEILINGS - SAS AND OTHERS



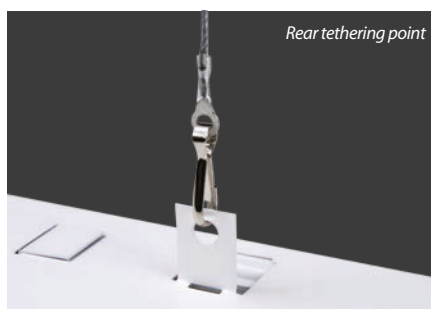
SPECIFICATION

- Steel body finished full polyester non-yellowing satin white (RAL 9016)
- Carefully controlled optics for LG7:2015 (<math><3000\text{ cd/m}^2\text{ @ }65^\circ</math>) compliance
- Fire-retardant polycarbonate LG7 nanoprism diffuser
- Zinc coated steel gear enclosure securely fastened to the luminaire housing
- Suitable for most ceiling types including SAS120, 130 and 330 types
- Air-handling as standard
- Edge-lit diffuser technology eliminates visible LEDs
- Smart versions with intelligent lighting control
- Optional SmartScan wireless technology removes the need for control cabling. Ideal for retro-fit.
- Fitted with 4000K LEDs

SmartScan Configurations



Find out more at www.thorlux.com/smartsan



Rear tethering point

WEB LINK >
"PLUG AND PLAY"
LIGHTING CABLE
MANAGEMENT



LED CHARACTERISTICS

CRI	80+
COLOUR TEMPERATURE	4000K
RATED LIFE (HOURS)	60K - L80/B10
PROTECTION	LUX GUARD
DRIVER EFFICIENCY	>85%
REPLACEABLE	-
POWER FACTOR	>0.9

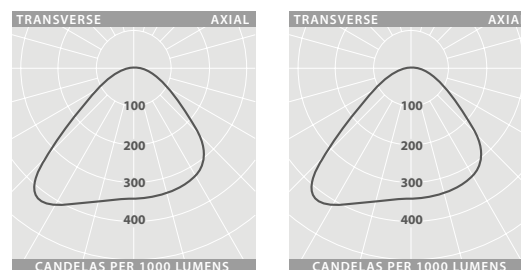
LL/CW 120.5

For LED characteristics explanation see www.thorlux.com/led-characteristics

NOMINAL SIZE (mm)	APPROX. kg
600x600	6.0
1200x300	6.5

Add 0.3kg to weights listed

PHOTOMETRIC GUIDE



600 x 600

Luminaire Lumen Output:
23W = 2845lm
29W = 3635lm
37W = 4580lm

1200 x 300

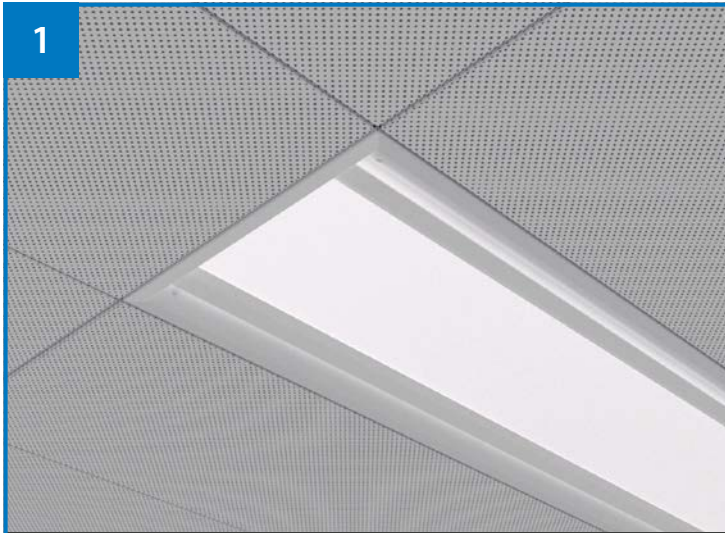
Luminaire Lumen Output:
23W = 3085lm
29W = 3855lm
37W = 4840lm

TYPICAL MOUNTING ARRANGEMENTS

NOTE

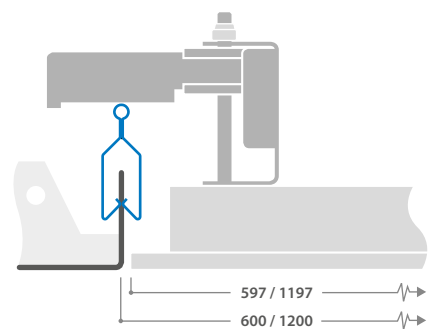
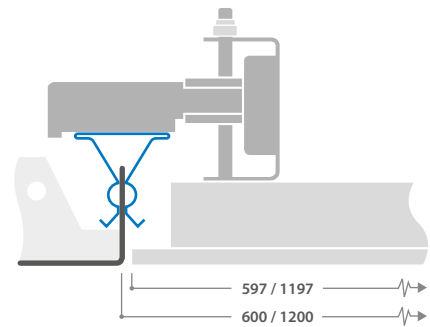
Special sizes made to order

1

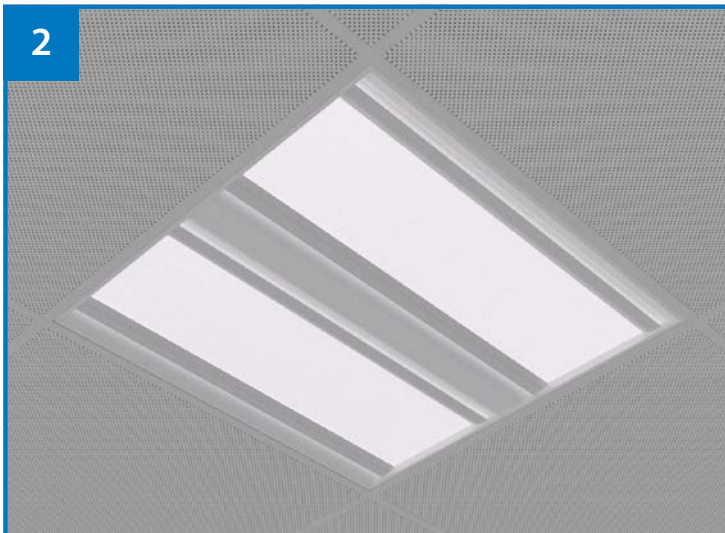


SPRING TEE

TYPICALLY SAS 120, SAS 150,
BURGESS CLIP-IN AND SIMILAR



2

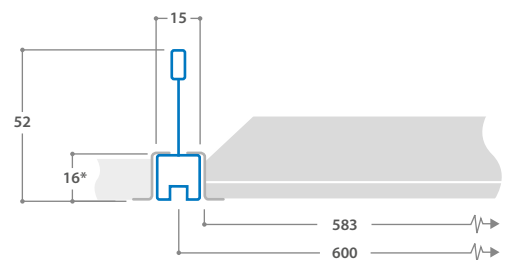


EXPOSED GRID

TYPICALLY SAS 130, BURGESS
CROSSLOCK AND SIMILAR

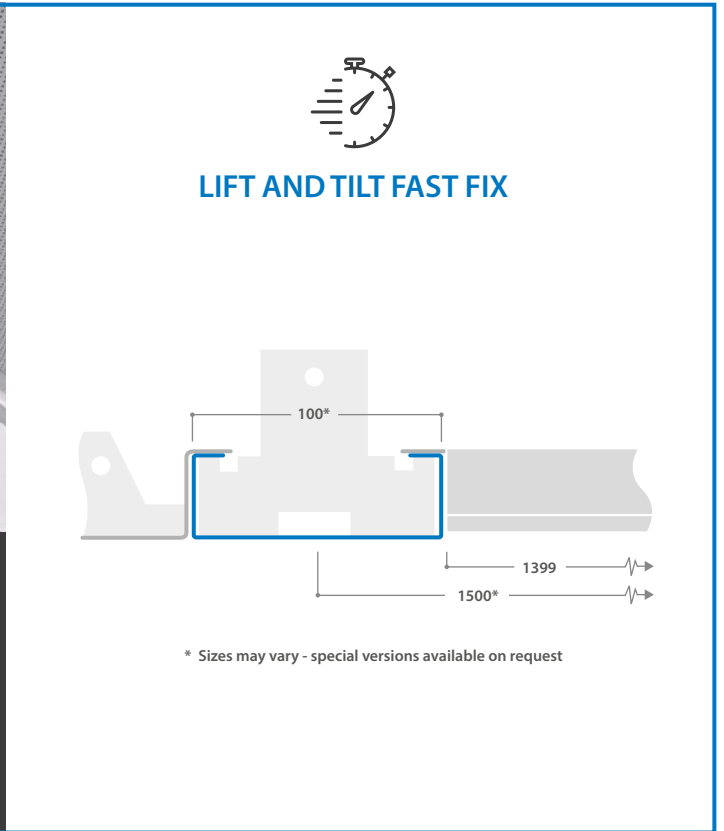
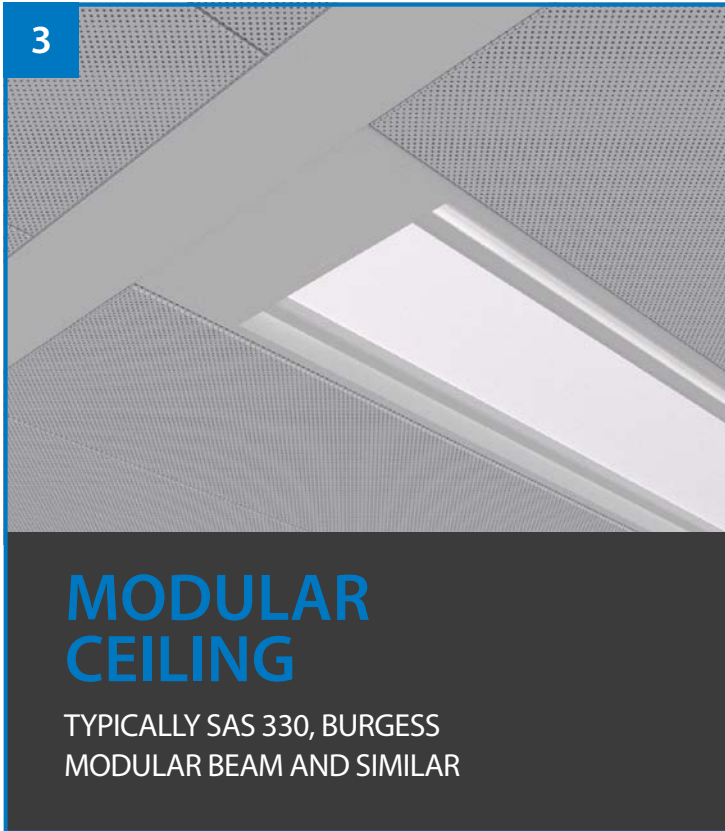


LIFT AND TILT FAST FIX

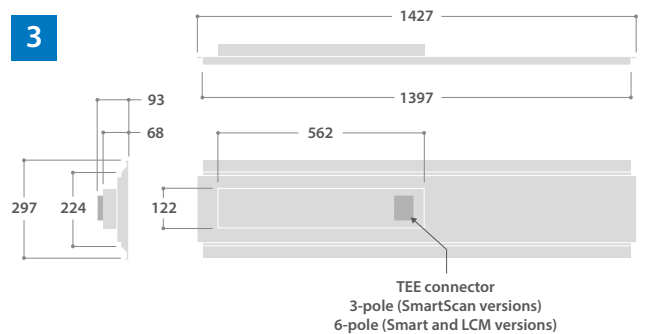
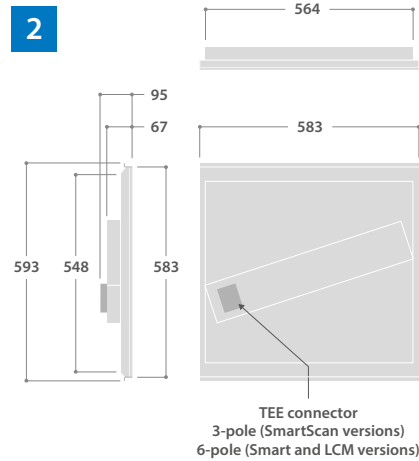
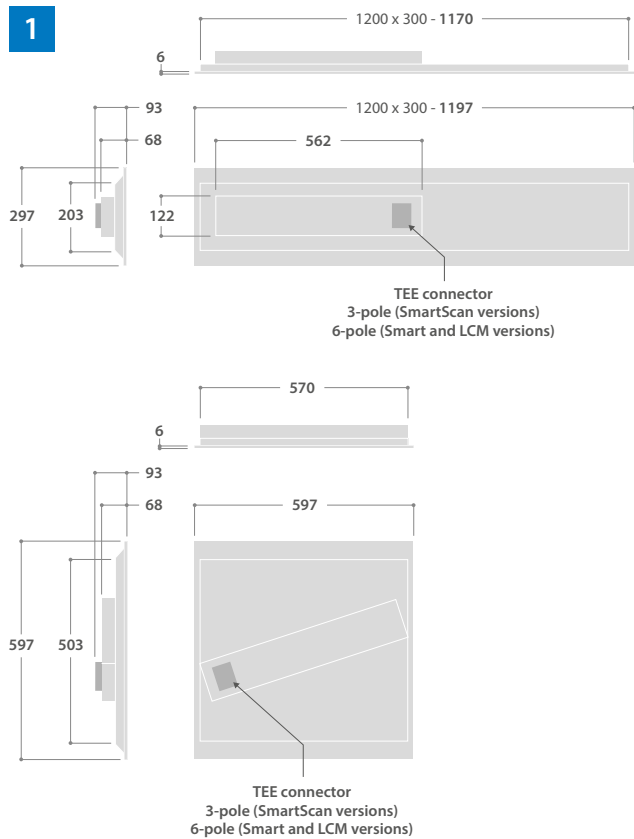


* This dimension can vary depending on grid type

The Hyline range has been designed from the outset to be easily tailored to suit the myriad of ceiling types offered. The diagrams below show some typical mounting arrangements but please ask us to provide details for specific ceiling types for our made to order range.



TYPICAL DIMENSIONS





Designers, manufacturers and suppliers
of professional lighting systems

INDUSTRIAL LUMINAIRES
COMMERCIAL LUMINAIRES
FLOODLIGHTING LUMINAIRES
ARCHITECTURAL LUMINAIRES
HEALTHCARE LUMINAIRES
HAZARDOUS AREA LUMINAIRES
RETAIL & DISPLAY LUMINAIRES
CONTROLS AND SYSTEMS

A DIVISION OF F.W. THORPE PLC

Thorlux Carbon Offsetting Project:
www.thorlux.com/trees

The information given in this catalogue is typical and must not be interpreted as a guarantee of individual product performance and/or characteristics. We reserve the right to alter specifications and designs without prior notice.

Thorlux Lighting
Merse Road
North Moons Moat
Redditch
Worcestershire
B98 9HH
England

T +44 (0)1527 583200
F +44 (0)1527 584177
E thorlux@thorlux.co.uk
W www.thorlux.com

Direct UK Sales Line: 01527 583222

Thorlux Lighting Ireland
Unit G6
Riverview Business Park
Nangor Road
Gallanstown
Dublin 12
Ireland

T +353 (0)1 460 4608
F +353 (0)1 460 4609
E thorlux@thorlux.ie
W www.thorlux.ie

Thorlux Lighting Deutschland
Ernst Gnoß Strasse 7
40219 Düsseldorf
Deutschland

T +49 (0)211 695 603-10
F +49 (0)211 695 603-11
E thorlux@thorlux.de
W www.thorlux.de

Thorlux Lighting Australasia Pty Ltd.
31 Cross Street
Brookvale
Sydney
NSW 2100
Australia

T 1300 04 32 32
T +61 (0)2 9907 1261
E thorlux@thorlux.com.au
W www.thorlux.com.au

Registered No. ABN 139 400 507

Thorlux Lighting LLC
Office 334
European Business Centre
Green Community
Dubai Investment Park 1
PO Box 33484
Dubai
United Arab Emirates

T +971 (0)2 656 5842
F +971 (0)2 622 4149
E sales@thorlux.ae
W www.thorlux.ae

