



# HYLINE



# HYLINE

AIR HANDLING LOW-GLARE  
RECESSED LUMINAIRES





↑↓  
G12345678

↑↓  
G12345678



**TP(a) RATED  
CONSTRUCTION**

SELF EXTINGUISHING MATERIALS



**SMARTSCAN  
OPTION**

INCREASED ENERGY EFFICIENCY  
AND WIRELESS STATUS REPORTING



**CONCEALED  
AIR-HANDLING**  
UP TO 40L/S



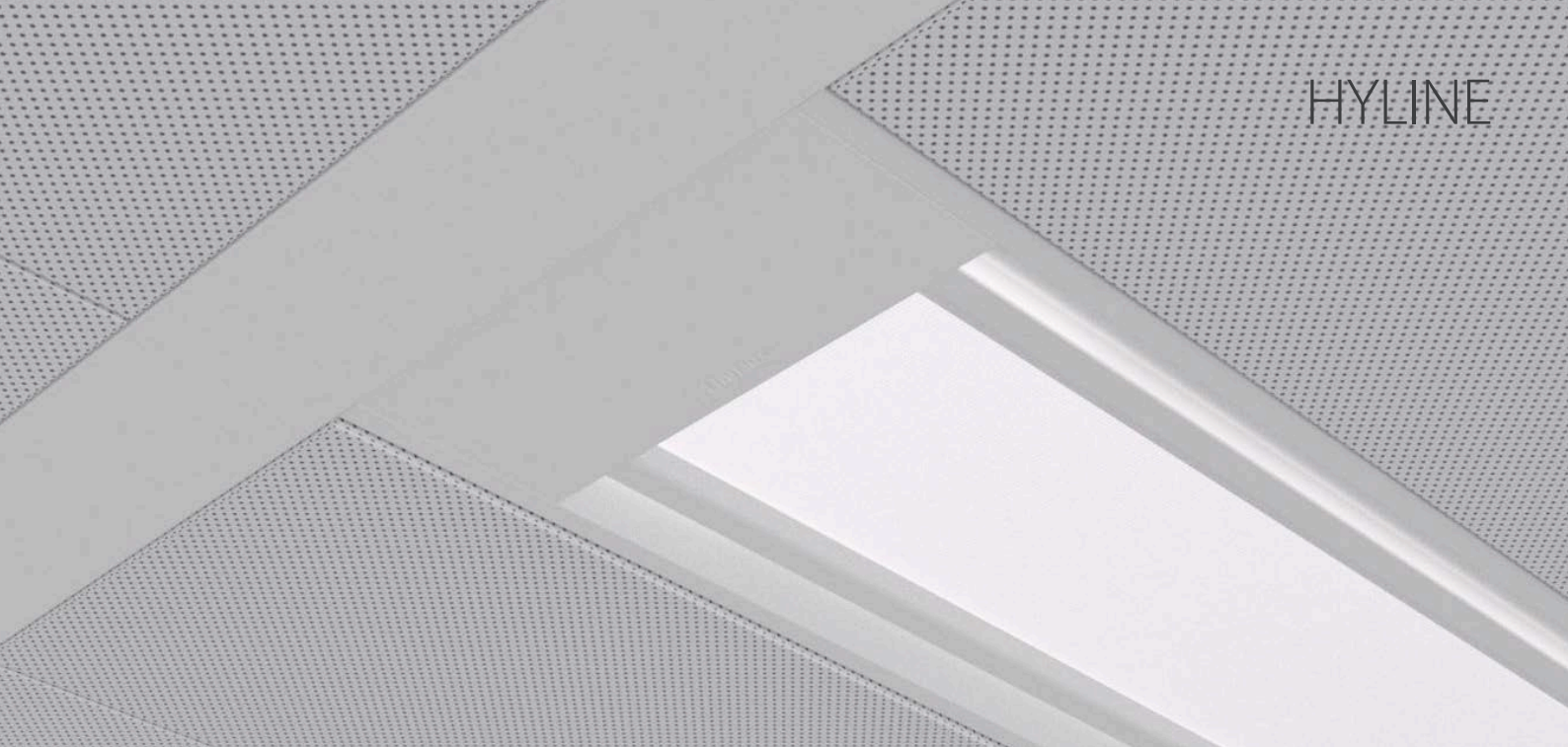
**NANOPRISM  
OPTIC**

FOR LOW GLARE COMPLIANCE



**EDGE-LIT  
DIFFUSER**

HOMOGENEOUSLY LIT



## AIR-HANDLING LOW-GLARE RECESSED LED LUMINAIRES FOR METAL TILE CEILINGS - SAS AND OTHERS



### SPECIFICATION

- Steel body finished full polyester non-yellowing satin white (RAL 9016)
- Carefully controlled optics for LG7:2015 (<math><3000\text{ cd/m}^2\text{ @ }65^\circ</math>) compliance
- Fire-retardant polycarbonate LG7 nanoprism diffuser
- Zinc coated steel gear enclosure securely fastened to the luminaire housing
- Suitable for most ceiling types including SAS120, 130 and 330 types
- Air-handling as standard
- Edge-lit diffuser technology eliminates visible LEDs
- Smart versions with intelligent lighting control
- Optional SmartScan wireless technology removes the need for control cabling. Ideal for retro-fit.
- Fitted with 4000K LEDs

### SmartScan Configurations



Find out more at [www.thorlux.com/smartsan](http://www.thorlux.com/smartsan)



Rear tethering point

**WEB LINK >**  
"PLUG AND PLAY"  
LIGHTING CABLE  
MANAGEMENT

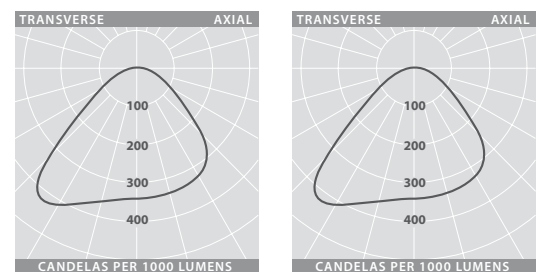


### LED CHARACTERISTICS

|                    |               |
|--------------------|---------------|
| CRI                | 80+           |
| COLOUR TEMPERATURE | 4000K         |
| RATED LIFE (HOURS) | 60K - L80/B10 |
| PROTECTION         | LUX GUARD     |
| DRIVER EFFICIENCY  | >85%          |
| REPLACEABLE        | -             |
| POWER FACTOR       | >0.9          |
| <b>LL/CW</b>       | <b>120.5</b>  |

For LED characteristics explanation see [www.thorlux.com/led-characteristics](http://www.thorlux.com/led-characteristics)

### PHOTOMETRIC GUIDE



#### 600 x 600

Luminaire Lumen Output:  
23W = 2845lm  
29W = 3635lm  
37W = 4580lm

#### 1200 x 300

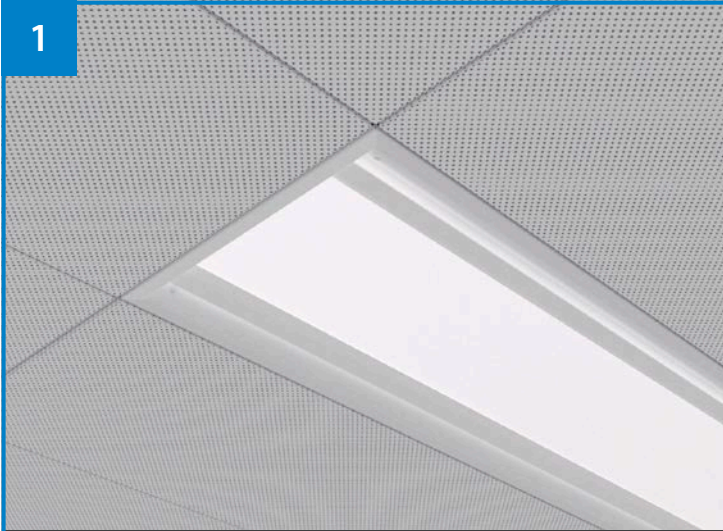
Luminaire Lumen Output:  
23W = 3085lm  
29W = 3855lm  
37W = 4840lm

# TYPICAL MOUNTING ARRANGEMENTS

NOTE

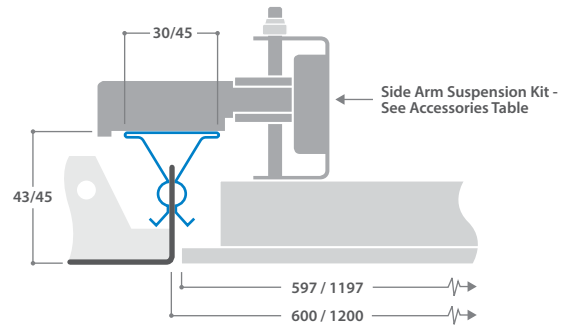
Special sizes made to order

1

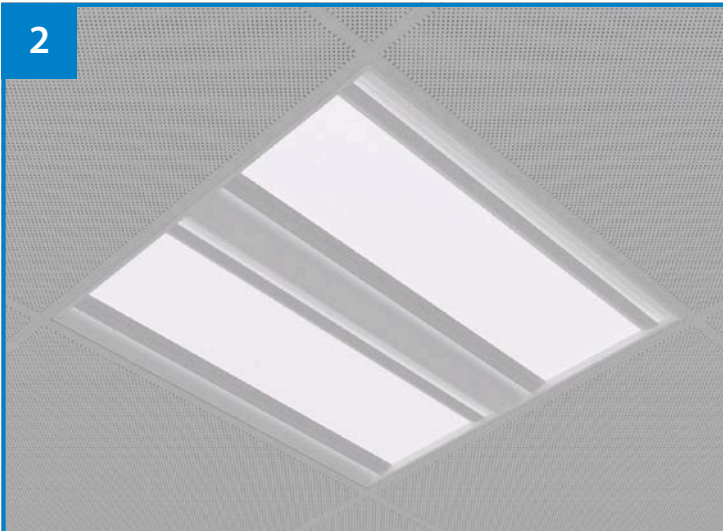


## SPRING TEE

TYPICALLY SAS 120, BURGESS CLIP-IN AND SIMILAR



2

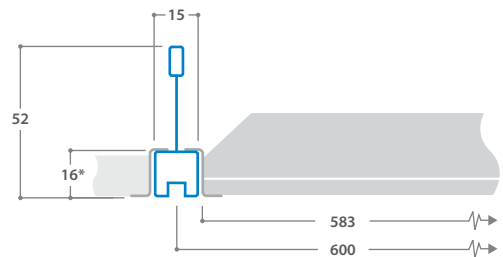


## EXPOSED GRID

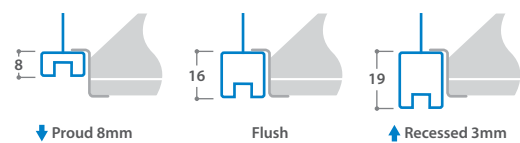
TYPICALLY SAS 130, BURGESS CROSSLOCK AND SIMILAR



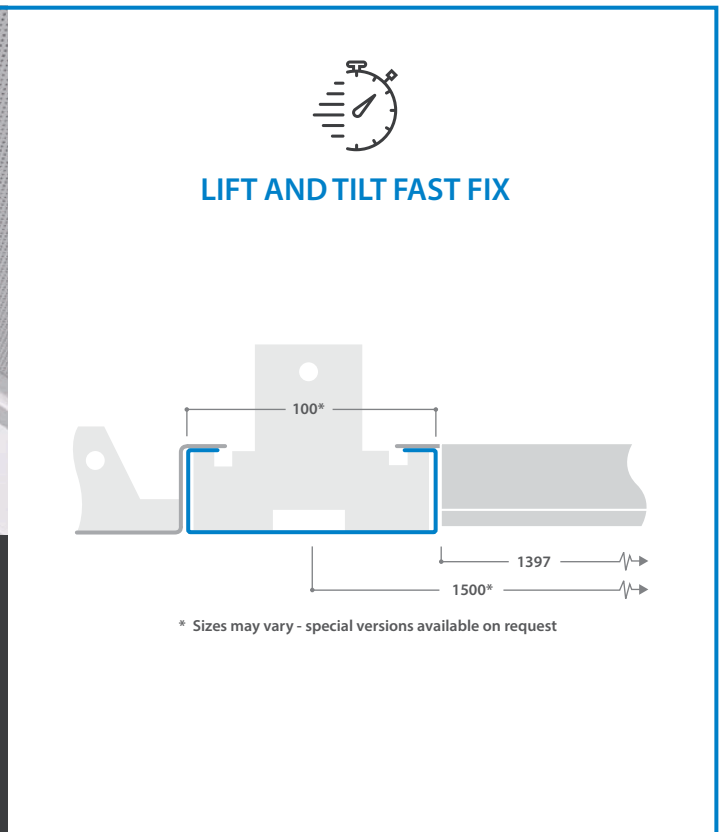
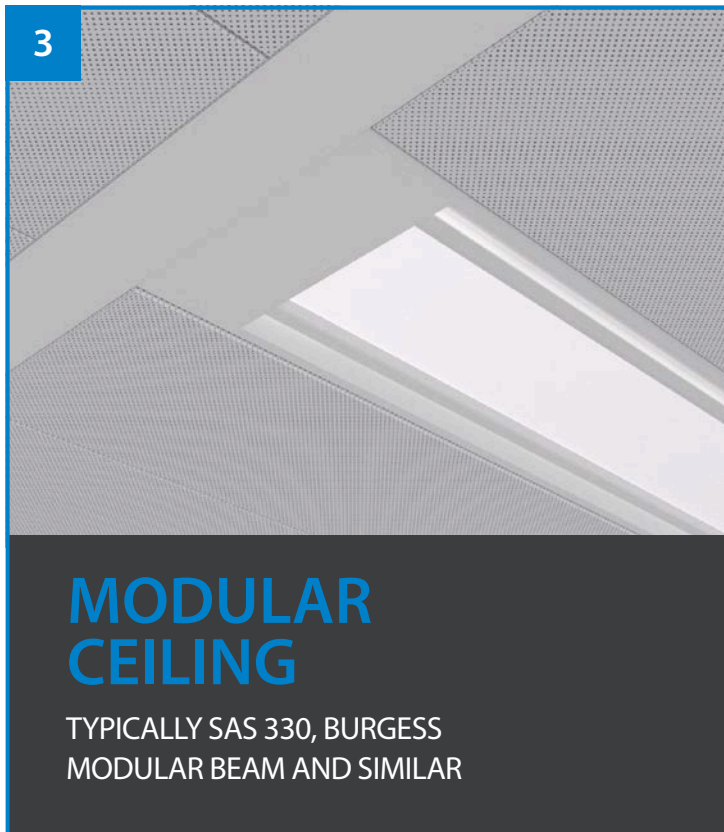
### LIFT AND TILT FAST FIX



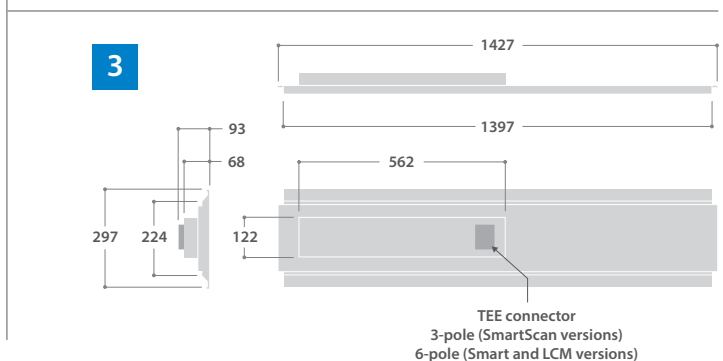
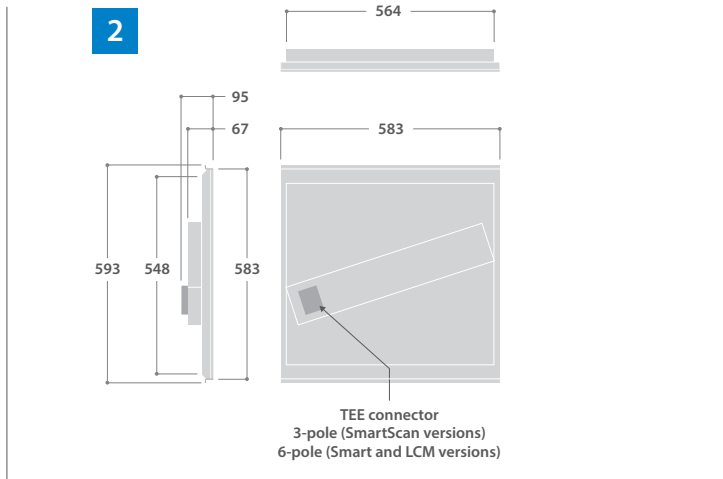
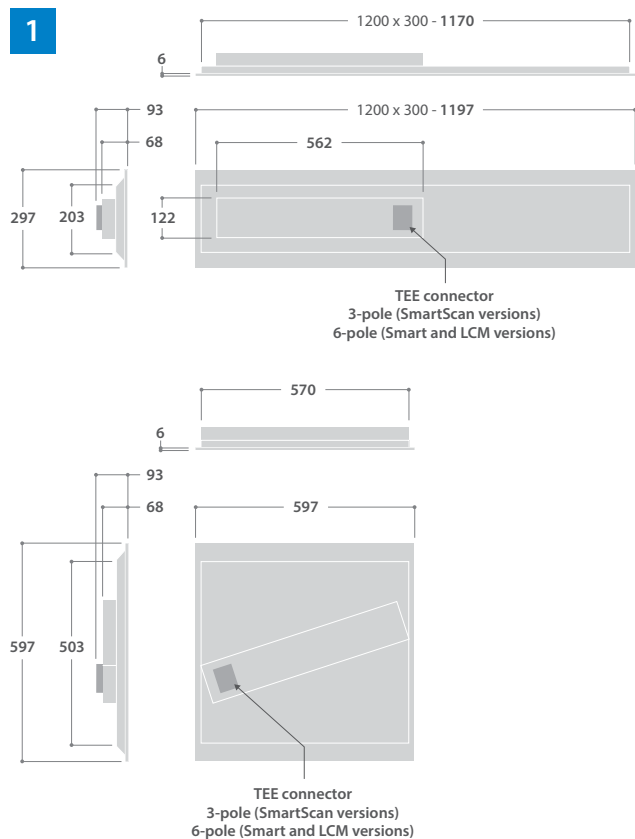
\* This dimension can vary depending on grid type



The Hyline range has been designed from the outset to be easily tailored to suit the myriad of ceiling types offered. The diagrams below show some typical mounting arrangements but please ask us to provide details for specific ceiling types for our made to order range.



**TYPICAL DIMENSIONS**





Designers, manufacturers and suppliers  
of professional lighting systems

INDUSTRIAL LUMINAIRES  
COMMERCIAL LUMINAIRES  
FLOODLIGHTING LUMINAIRES  
ARCHITECTURAL LUMINAIRES  
HEALTHCARE LUMINAIRES  
HAZARDOUS AREA LUMINAIRES  
RETAIL & DISPLAY LUMINAIRES  
CONTROLS AND SYSTEMS

A DIVISION OF F.W. THORPE PLC

Thorlux Carbon Offsetting Project:  
[www.thorlux.com/trees](http://www.thorlux.com/trees)

The information given in this catalogue is typical and must not be interpreted as a guarantee of individual product performance and/or characteristics. We reserve the right to alter specifications and designs without prior notice.

**Thorlux Lighting**  
Merse Road  
North Moons Moat  
Redditch  
Worcestershire  
B98 9HH  
England

**T** +44 (0)1527 583200  
**F** +44 (0)1527 584177  
**E** [thorlux@thorlux.co.uk](mailto:thorlux@thorlux.co.uk)  
**W** [www.thorlux.com](http://www.thorlux.com)

**Direct UK Sales Line: 01527 583222**

**Thorlux Lighting Ireland**  
Unit G6  
Riverview Business Park  
Nangor Road  
Gallanstown  
Dublin 12  
Ireland

**T** +353 (0)1 460 4608  
**F** +353 (0)1 460 4609  
**E** [thorlux@thorlux.ie](mailto:thorlux@thorlux.ie)  
**W** [www.thorlux.ie](http://www.thorlux.ie)

**Thorlux Lighting Deutschland**  
Ernst Gnoß Strasse 7  
40219 Düsseldorf  
Deutschland

**T** +49 (0)211 695 603-10  
**F** +49 (0)211 695 603-11  
**E** [thorlux@thorlux.de](mailto:thorlux@thorlux.de)  
**W** [www.thorlux.de](http://www.thorlux.de)

**Thorlux Lighting Australasia Pty Ltd.**  
31 Cross Street  
Brookvale  
Sydney  
NSW 2100  
Australia

**T** 1300 04 32 32  
**T** +61 (0)2 9907 1261  
**E** [thorlux@thorlux.com.au](mailto:thorlux@thorlux.com.au)  
**W** [www.thorlux.com.au](http://www.thorlux.com.au)

Registered No. ABN 139 400 507

**Thorlux Lighting LLC**  
Office 334  
European Business Centre  
Green Community  
Dubai Investment Park 1  
PO Box 33484  
Dubai  
United Arab Emirates

**T** +971 (0)2 656 5842  
**F** +971 (0)2 622 4149  
**E** [sales@thorlux.ae](mailto:sales@thorlux.ae)  
**W** [www.thorlux.ae](http://www.thorlux.ae)

