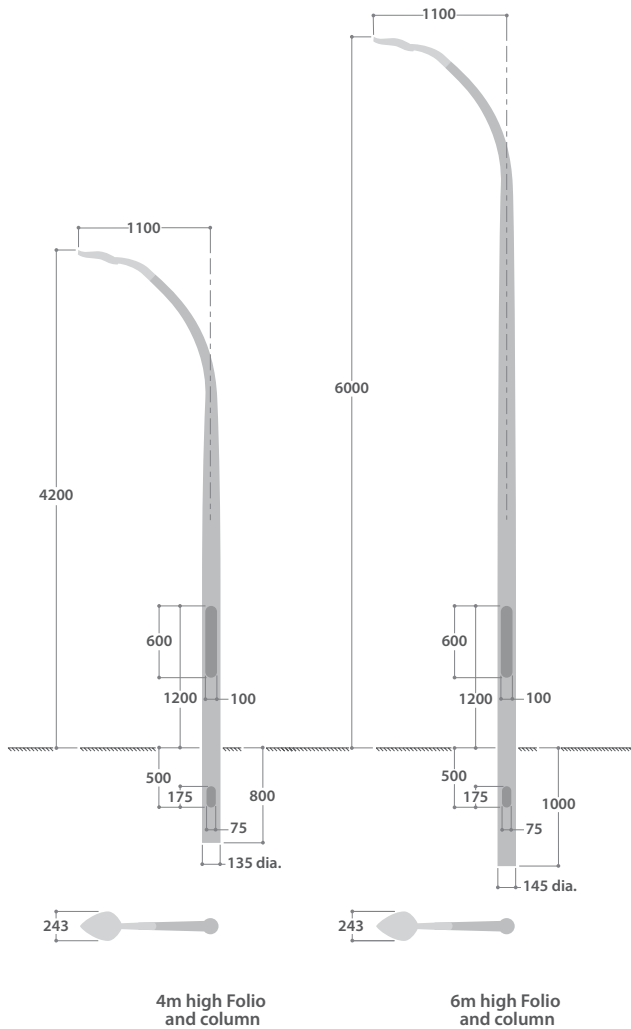


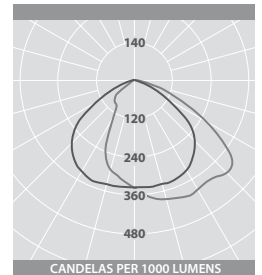


The Folio is equipped with 18 LEDs, each precisely located to minimise upward light and optimise the spacing distance between luminaires.

DIMENSIONS



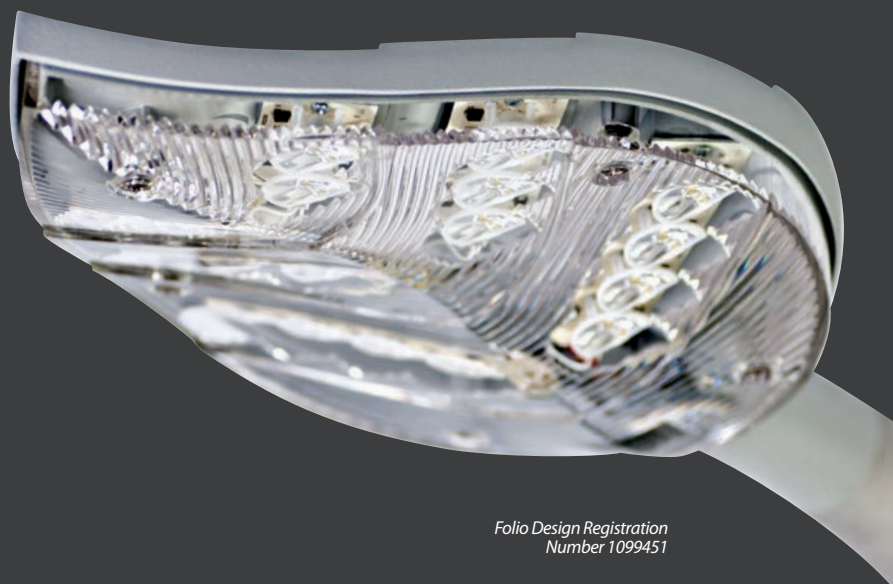
PHOTOMETRIC GUIDE



Luminaire Lumen Output:
50W = 4275lm



Smart External version



Folio Design Registration
Number 1099451

HIGH PERFORMANCE LED AREA FLOODLIGHTS COMPLETE WITH ALUMINIUM COLUMNS

IP66 IK10 CE LED WINDAGE - 0.03m²

SPECIFICATION

Folio head units complete with power packs are factory fitted to the aluminium columns to ensure swift installation on site

- Head unit - cast aluminium finished light textured silver (RAL 9006)
- Impact resistant, UV stabilised, polycarbonate cover
- Columns manufactured from aluminium
- Thermo-plastic root protection
- 600mm access door to gear/wiring compartment
- Smart External versions dimmable - 10% to 100%
- SmartScan wireless technology removes the need for control cabling. Ideal for retro-fit
- Photocell option - standard versions
- Fitted with 4000K or 5700K LEDs

SmartScan Configurations



Find out more at www.thorlux.com/smartsan

LED CHARACTERISTICS

CRI	70+
COLOUR TEMPERATURE	4000K/5700K
RATED LIFE (HOURS)	100K - L90/B10
PROTECTION	LED PROTECT
DRIVER EFFICIENCY	>90%
REPLACEABLE	YES
POWER FACTOR	>0.95

LL/CW **79.2**

For LED characteristics explanation see www.thorlux.com/led-characteristics

RANGE

	DESCRIPTION	LED	4000K VERSION	5700K VERSION	APPROX. kg
SMART EXTERNAL	4m	50W	FL 17528SS	FL 16160SS	22.1
	6m	50W	FL 17529SS	FL 16162SS	30.1
STANDARD	4m	50W	FL 17533L	FL 16161L	22.0
	6m	50W	FL 17534L	FL 16163L	30.0

CIRCUIT TYPE -

SMART EXTERNAL	SS - SmartScan External
STANDARD	L - non-dimming (LED)

OPTIONS

DESCRIPTION	SUFFIX	EXAMPLE
Photocell (<i>standard versions only</i>)	PC	FL 17533LPC