



## LED POLE TOP AMENITY LUMINAIRES

IP66 IK10 CE LED WINDAGE - 0.14m<sup>2</sup>

### SPECIFICATION

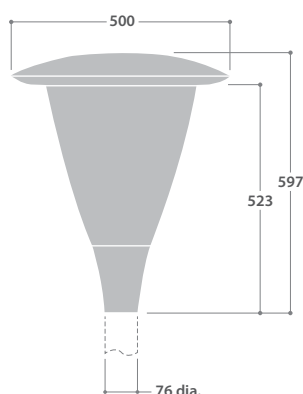
- Strong high pressure die-cast aluminium top and column mount finished full polyester powder coat silver (RAL9006)
- High-impact UV stabilised polycarbonate cover rated IK10
- Integral high efficiency driver
- Extremely efficient and long system life up to 100,000 hours
- Fits 76mm columns as standard (60mm to special order)
- Fitted with 6m flying lead
- Photocell option
- Fitted with 4000K LEDs

### LED CHARACTERISTICS

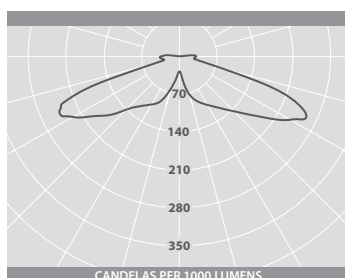
CRI	70+
COLOUR TEMPERATURE	4000K
RATED LIFE (HOURS)	100K - L90/B10
PROTECTION	-
DRIVER EFFICIENCY	>85%
REPLACEABLE	YES
POWER FACTOR	>0.90
<b>LL/CW</b>	<b>120.0</b>

For LED characteristics explanation see [www.thorlux.com/led-characteristics](http://www.thorlux.com/led-characteristics)

### DIMENSIONS



### PHOTOMETRIC GUIDE



Luminaire Lumen Output:  
31W = 4320lm  
52W = 6825lm

### RANGE

LED	CAT. No.	APPROX. kg
31W	<b>JUN 17672L</b>	8.0
52W	<b>JUN 17673L</b>	8.0

CIRCUIT TYPE - L - non-dimming (LED)

### OPTIONS

DESCRIPTION	SUFFIX	EXAMPLE
Photocell	PC	<b>JUN 17672LPC</b>