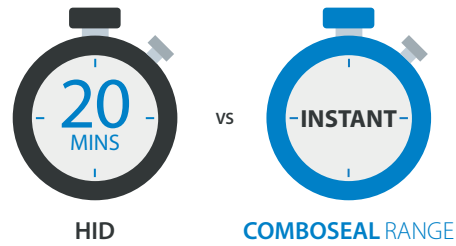


COMBOSEAL PLUS

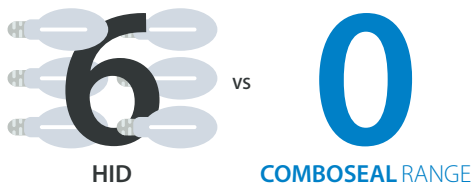
RATED LAMP LIFE



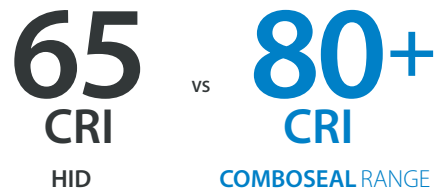
HOT RE-STRIKE TIME



LAMP CHANGES OVER 100,000 HOURS



QUALITY OF LIGHT

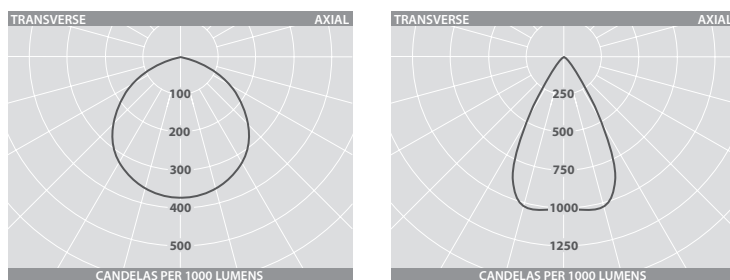


MAXIMUM AMBIENT OPERATING TEMPERATURES

LED	NORMAL AMBIENT VERSIONS (INCLUDING SMART)		HIGH AMBIENT VERSIONS (INCLUDING SMART)	
	100,000 HOUR LIFE	50,000 HOUR LIFE	100,000 HOUR LIFE	50,000 HOUR LIFE
171W	40°C	50°C	55°C	65°C
251W	30°C	40°C	45°C	55°C
326W	25°C	35°C	40°C	50°C

Minimum operating ambient temperature - Standard & Smart versions: -40°C

PHOTOMETRIC GUIDE



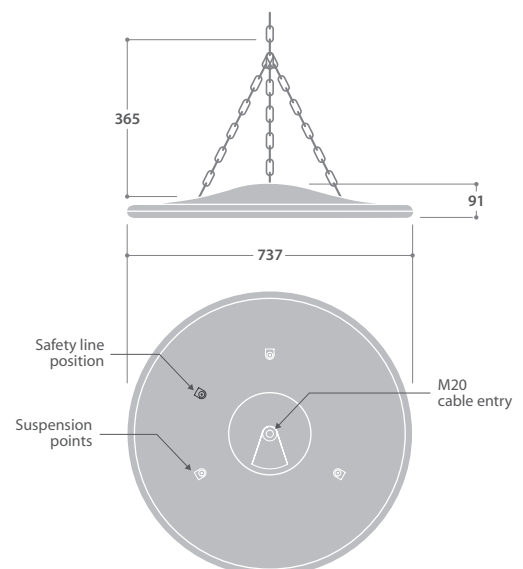
BROAD DISTRIBUTION

Luminaire Lumen Output:
171W = 25490 lm
251W = 35505 lm
326W = 43725 lm

NARROW DISTRIBUTION

Luminaire Lumen Output:
171W = 25925 lm
251W = 36110 lm
326W = 44470 lm

DIMENSIONS



COMBOSEAL PLUS



HIGH PERFORMANCE LED HIGH BAY LUMINAIRES



SPECIFICATION

- Strong high pressure die-cast aluminium body finished full polyester powder coat silver (RAL9006)
- Clear flat toughened/safety glass cover
- Long life silicone gaskets ensuring IP66 rating
- Smooth wipe clean surfaces, no dust traps
- Integral high efficiency drivers
- Extremely efficient and long system life up to 100,000 hours
- Supplied with single-point, stainless steel welded link chain suspension kit
- Smart versions suitable for use at mounting heights up to 18m
- Wireless SmartScan versions remove the need for control cabling. Ideal for retro-fit solutions
- Fitted with 2m flying lead
- Fitted with 4000K LEDs



Learn more about SmartScan at:
www.thorlux.com/smartsan

RANGE

	LED	BROAD DISTRIBUTION	NARROW DISTRIBUTION	APPROX. kg	CIRCUIT
SMART	Normal Ambient Versions				
	171W	CS 18550	CS 18556	16.2	D/SS
	251W	CS 18551	CS 18557	16.2	D/SS
	326W	CS 18552	CS 18558	16.2	D/SS
	High Ambient Versions				
	171W	CS 18553	CS 18559	17.2	D/SS
251W	CS 18554	CS 18560	17.2	D/SS	
326W	CS 18555	CS 18561	17.2	D/SS	
STANDARD	Normal Ambient Versions				
	171W	CS 18562	CS 18568	16.0	L/A
	251W	CS 18563	CS 18569	16.0	L/A
	326W	CS 18564	CS 18570	16.0	L/A
	High Ambient Versions				
	171W	CS 18565	CS 18571	17.0	L/A
251W	CS 18566	CS 18572	17.0	L/A	
326W	CS 18567	CS 18573	17.0	L/A	

CIRCUIT TYPE - suffix catalogue number with:

SMART D - Smart / SS - SmartScan

STANDARD L - non-dimming (LED) / A - dimming (DALI) e.g. **CS 18550SS** etc.

NOTE: Acrylic cover version available to special order

LED CHARACTERISTICS

CRI	80+
COLOUR TEMPERATURE	4000K
RATED LIFE (HOURS)	100K - L70/B10
PROTECTION	LUX GUARD
DRIVER EFFICIENCY	>90%
REPLACEABLE	YES
POWER FACTOR	>0.90

LL/CW 136.4

For LED characteristics explanation see
www.thorlux.com/led-characteristics