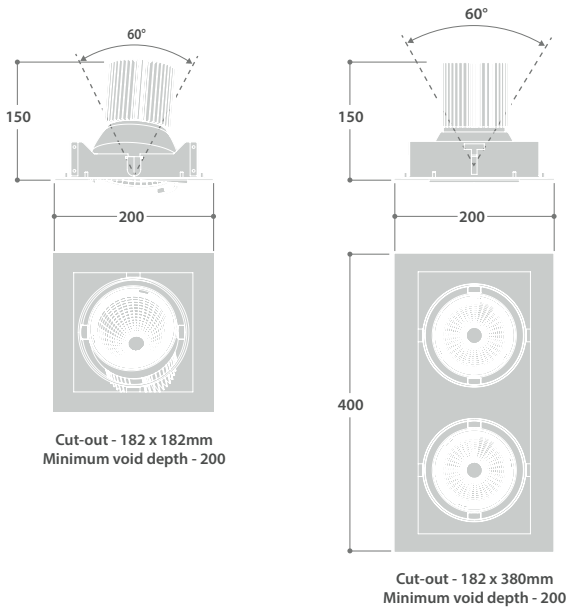
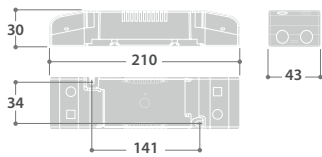




DIMENSIONS



Standard Remote Driver





ADJUSTABLE RECESSED ACCENT GIMBALS

IP20 CE LED

SPECIFICATION

- Steel body/chassis finished full polyester satin white
- High pressure die-cast aluminium gimbal body finished full polyester satin white
- Black and Silver finishes available to special order*
- 17°, 28° and 41° beam angle versions
- Adjustable spots with tilt in all directions
- Triple or quad head versions available to special order*
- Injection moulded, black, anti-glare reflector bezel
- Supplied with remote gear unit(s) fitted with 2m lead
- Luminaires can be supplied pre-wired with a purpose made 1m connection lead for plugging directly into the Smart Hub
- Fitted with CRI 90 LEDs with enhanced R9 value. Suitable for retail applications
- CRI 80 available*
- 3000K and 4000K versions

* Minimum order quantity applies

RANGE

LED	17° BEAM	28° BEAM	41° BEAM	APPROX. kg	CIRCUIT
Single Version					
20W - 3000k	SOL17832	SOL17840	SOL17848	1.6	L/A
28W - 3000k	SOL17833	SOL17841	SOL17849	1.6	L/A
35W - 3000k	SOL17834	SOL17842	SOL17850	1.6	L/A
20W - 4000k	SOL17836	SOL17844	SOL17852	1.6	L/A
28W - 4000k	SOL17837	SOL17845	SOL17853	1.6	L/A
35W - 4000k	SOL17838	SOL17846	SOL17854	1.6	L/A
Twin Version					
2x 20W - 3000K	SOL17856	SOL17864	SOL17872	3.0	L/A
2x 28W - 3000K	SOL17857	SOL17865	SOL17873	3.0	L/A
2x 35W - 3000K	SOL17858	SOL17866	SOL17874	3.0	L/A
2x 20W - 4000K	SOL17860	SOL17868	SOL17876	3.0	L/A
2x 28W - 4000K	SOL17861	SOL17869	SOL17877	3.0	L/A
2x 35W - 4000K	SOL17862	SOL17870	SOL17878	3.0	L/A

CIRCUIT TYPE - suffix catalogue number with:

L - non-dimming (LED) / **A** - dimming (DALI) e.g. **SOL 17832L** etc.

HUB VERSIONS - suffix catalogue number with **SHL** e.g. **SOL 17832SHL**