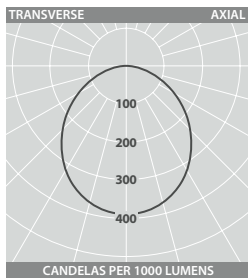


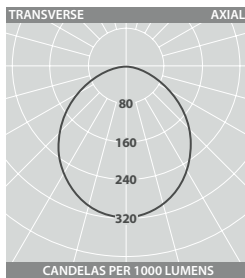


## PHOTOMETRIC GUIDE



### LED

Luminaire Lumen Output  
 20W = 2355lm  
 26W = 3260lm  
 38W = 4560lm



### 3 x 13W T5 ECO

L.O.R. 85%  
 Factor:  
 4 x 13W T5 ECO = 0.97  
 4 x 20W T5 ECO = 0.93

## ACCESSORIES

DESCRIPTION	CAT. No.
Optional side arm suspension kit - <i>Lamp version</i> ▲	HI 12349

▲ 4 arms per kit - not required for lay-in mounting

**WEB LINK >**  
 "PLUG AND PLAY"  
 LIGHTING CABLE  
 MANAGEMENT



PATENT APPLIED FOR

## RECESSED LUMINAIRES WITH POLYCARBONATE DIFFUSER



### SPECIFICATION

- Steel body finished polyester, non-yellowing white
- Shallow body depth
- Suitable for most ceiling types. Lay-in or pull-up with side arm suspensions (included with LED versions)
- Designed to exclude dust, dirt and flies. All control gear is outside the lamp enclosure and the diffuser frame is gasketed
- Optional SmartScan wireless technology removes the need for control cabling. Ideal for retro-fit.
- Fitted with 4000K or 6500K lamps / 4000K or 6500K LEDs

### LED CHARACTERISTICS

Ra 80+	°K 4000/ 6500	L80/B10 60K	LL/CW <b>108.7</b>	
P/U P	% >85	R/Rx R	PF >0.9	

For LED characteristics explanation see [www.thorlux.com/led-characteristics](http://www.thorlux.com/led-characteristics)

Smart version



### RANGE

	NOMINAL SIZE (mm)	LAMP	CAT. No.	APPROX. kg	CIRCUIT		
SMART	600 x 600	20W LED 4000K	<b>PU 17590</b>	6.9	D/SS		
		20W LED 6500K	<b>PU 17591</b>	6.9	D/SS		
		26W LED 4000K	<b>PU 16526</b>	6.9	D/SS		
		26W LED 6500K	<b>PU 16542</b>	6.9	D/SS		
		38W LED 4000K	<b>PU 16527</b>	6.9	D/SS		
		38W LED 6500K	<b>PU 16543</b>	6.9	D/SS		
		3 x 13W T5 ECO 4000K	<b>PU 14724D</b>	5.9			
		3 x 13W T5 ECO 6500K	<b>PU 14730D</b>	5.9			
		4 x 13W T5 ECO 4000K	<b>PU 14725D</b>	5.9			
		4 x 13W T5 ECO 6500K	<b>PU 14731D</b>	5.9			
		4 x 20W T5 ECO 4000K	<b>PU 14726D</b>	5.9			
		4 x 20W T5 ECO 6500K	<b>PU 14732D</b>	5.9			
		STANDARD	600 x 600	20W LED 4000K	<b>PU 17592</b>	6.7	L/A
				20W LED 6500K	<b>PU 17593</b>	6.7	L/A
26W LED 4000K	<b>PU 16528</b>			6.7	L/A		
26W LED 6500K	<b>PU 16544</b>			6.7	L/A		
38W LED 4000K	<b>PU 16529</b>			6.7	L/A		
38W LED 6500K	<b>PU 16545</b>			6.7	L/A		
3 x 13W T5 ECO 4000K	<b>PU 14721</b>			5.8	J/D/T		
3 x 13W T5 ECO 6500K	<b>PU 14727</b>			5.8	J/D/T		
4 x 13W T5 ECO 4000K	<b>PU 14722</b>			5.8	J/D/T		
4 x 13W T5 ECO 6500K	<b>PU 14728</b>			5.8	J/D/T		
4 x 20W T5 ECO 4000K	<b>PU 14723</b>			5.8	J/D/T		
4 x 20W T5 ECO 6500K	<b>PU 14729</b>			5.8	J/D/T		

CIRCUIT TYPE - suffix catalogue number with:

- SMART** D - Smart / SS - SmartScan
- STANDARD** J - non-dimming (HF fluorescent) / L - non-dimming (LED) / D - dimming (1-10V) / T - dimming (DSI) / A - dimming (DALI) e.g. **PU 17590SS** etc. T5 Smart versions use digital dimming gear and are always suffixed D

EMERGENCY VERSION - prefix catalogue number with:

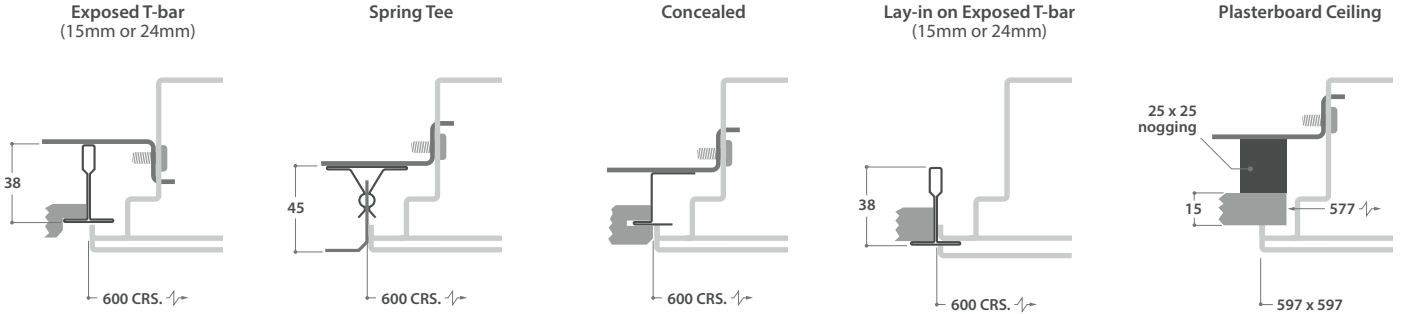
- EPU** - Emergency / **TPU** - AutoTest / **DPU** - Scanlight AT (DALI) e.g. **EPU 17592L** etc. Add 0.7kg to weights listed for lamp versions or 0.3kg for LED versions



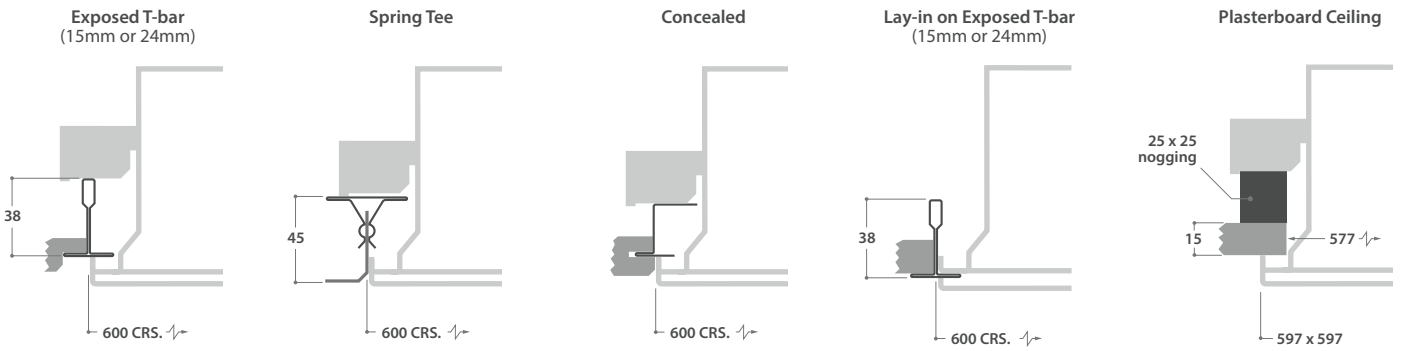
Learn more about SmartScan at:  
[www.thorlux.com/smartsan](http://www.thorlux.com/smartsan)

## MOUNTING ARRANGEMENTS

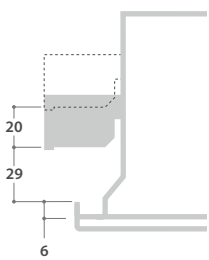
### LED Version



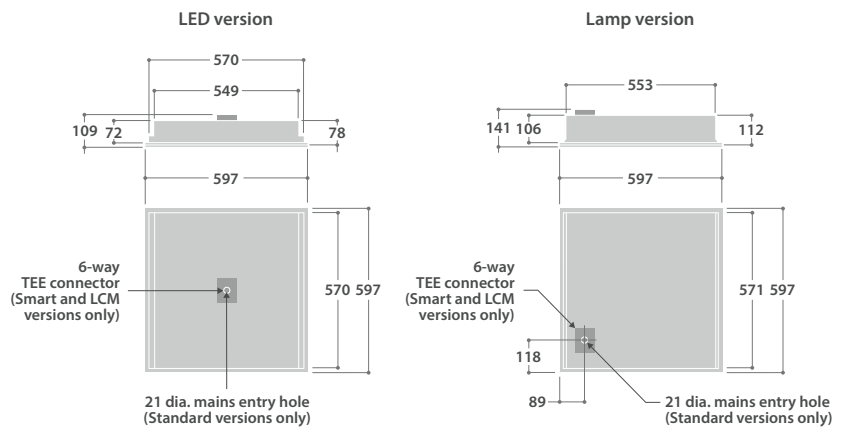
### Lamp Version



### Side arm suspension adjustment range



## DIMENSIONS





# PLATEAU

## LED LIGHT DIFFUSION

