



LOW DEPTH LED PETROL STATION FORECOURT LUMINAIRES

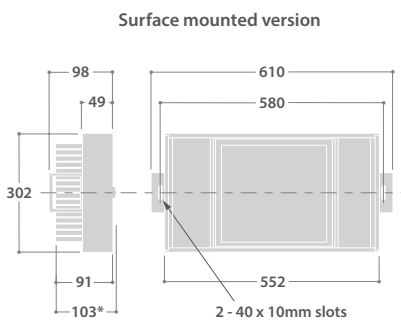
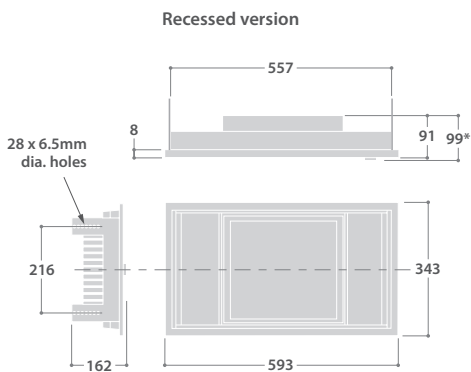


SPECIFICATION

- Zinc coated steel body finished full polyester, non-yellowing white
- 3mm thick clear acrylic front cover
- Recessed or surface mounting options
- Optional fully integral Smart External Sensor for automatic switching, dimming, presence detection and daylight sensing
- Smart versions with intelligent lighting control for use up to 8 metres mounting height
- Optional SmartScan wireless technology removes the need for control cabling. Ideal for retro-fit.
- Fitted with 4000K LEDs



DIMENSIONS



RANGE

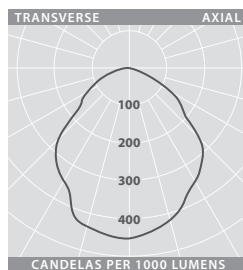
	MOUNTING	LED	CAT. No.	APPROX. kg	CIRCUIT
SMART EXTERNAL	Recessed	116W	CX 14642	13.1	D/SS
	Surface Mounted	116W	CX 14644	8.8	D/SS
STANDARD	Recessed	116W	CX 14641L	13.0	
	Surface Mounted	116W	CX 14643L	8.7	

CIRCUIT TYPE - suffix catalogue number with:

SMART D - Smart External / SS - SmartScan

STANDARD L - non-dimming (LED) e.g. **CX 14642SS** etc

PHOTOMETRIC GUIDE



116W LED

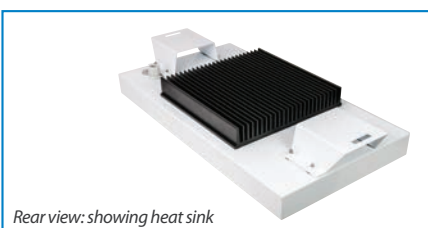
Luminaire Lumen Output:
116W = 13730lm

LED CHARACTERISTICS

CRI	70+
COLOUR TEMPERATURE	4000K
RATED LIFE (HOURS)	100K - L70/B10
PROTECTION	LED PROTECT
DRIVER EFFICIENCY	>90%
REPLACEABLE	YES
POWER FACTOR	>0.95

LL/CW 107.3

For LED characteristics explanation see
www.thorlux.com/led-characteristics



Learn more about SmartScan at:
www.thorlux.com/smartsan