

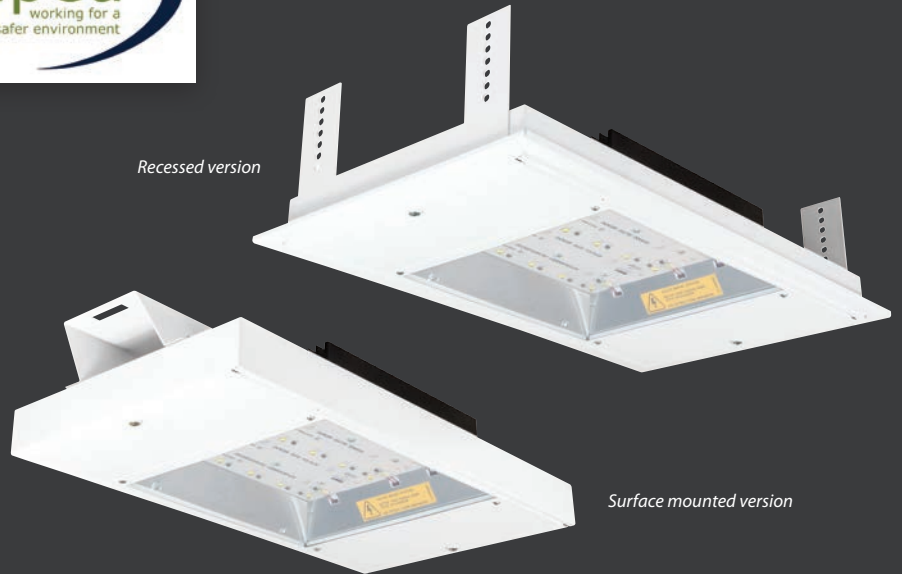


LOW DEPTH LED PETROL STATION FORECOURT LUMINAIRES

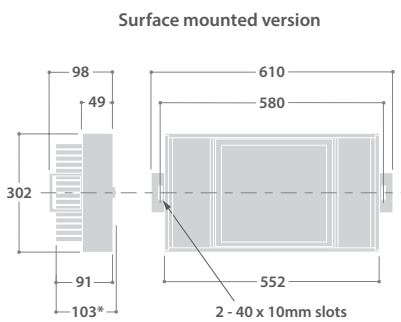
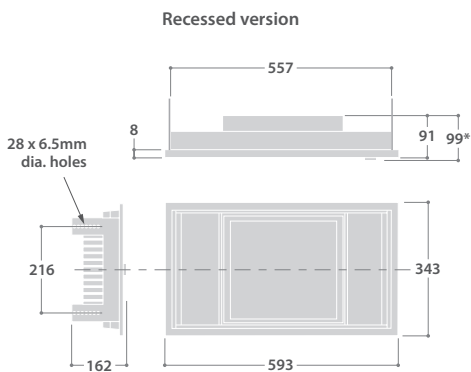


SPECIFICATION

- Zinc coated steel body finished full polyester, non-yellowing white
- 3mm thick clear acrylic front cover
- Recessed or surface mounting options
- Optional fully integral Smart External Sensor for automatic switching, dimming, presence detection and daylight sensing
- Smart versions with intelligent lighting control for use up to 8 metres mounting height
- Optional SmartScan wireless technology removes the need for control cabling. Ideal for retro-fit.
- Fitted with 4000K LEDs



DIMENSIONS



* Smart versions only

RANGE

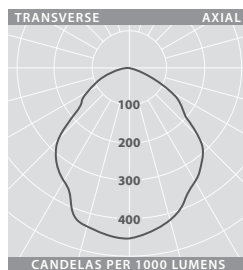
| | MOUNTING | LED | CAT. No. | APPROX. kg | CIRCUIT |
|----------------|-----------------|------|------------------|------------|---------|
| SMART EXTERNAL | Recessed | 116W | CX 14642 | 13.1 | D/SS |
| | Surface Mounted | 116W | CX 14644 | 8.8 | D/SS |
| STANDARD | Recessed | 116W | CX 14641L | 13.0 | |
| | Surface Mounted | 116W | CX 14643L | 8.7 | |

CIRCUIT TYPE - suffix catalogue number with:

SMART D - Smart External / SS - SmartScan

STANDARD L - non-dimming (LED) e.g. **CX 14642SS** etc

PHOTOMETRIC GUIDE



116W LED

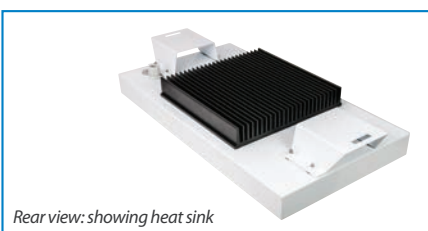
Luminaire Lumen Output:
116W = 13730lm

LED CHARACTERISTICS

| | |
|--------------------|-----------------------|
| CRI | 70+ |
| COLOUR TEMPERATURE | 4000K |
| RATED LIFE (HOURS) | 100K - L90/B10 |
| PROTECTION | LED PROTECT |
| DRIVER EFFICIENCY | >90% |
| REPLACEABLE | YES |
| POWER FACTOR | >0.95 |

LL/CW 107.3

For LED characteristics explanation see
www.thorlux.com/led-characteristics



Learn more about SmartScan at:
www.thorlux.com/smartsan