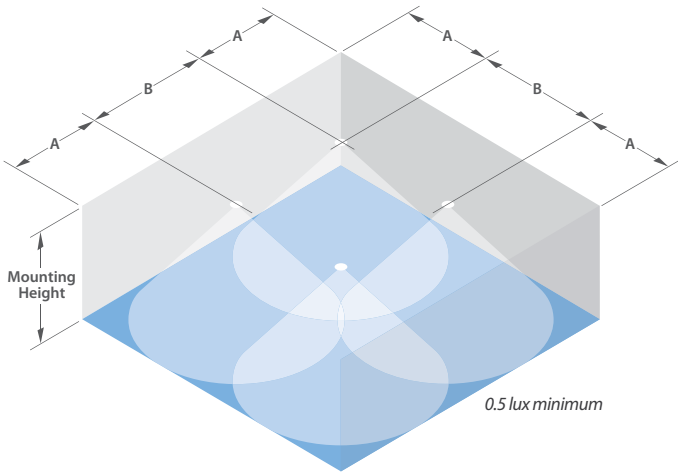
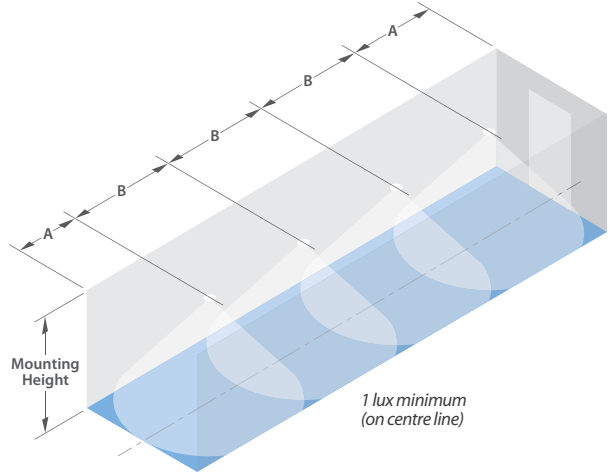


EMERGENCY LIGHTING PERFORMANCE GUIDE

TYPICAL SPACING FOR AREA LENS



TYPICAL SPACING FOR CORRIDOR (ESCAPE ROUTE) LENS

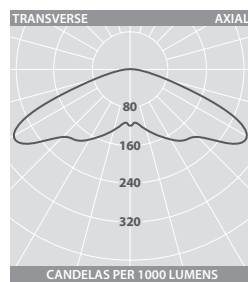


SPACING TABLE

| MOUNTING HEIGHT (m) | A (m) | B (m) |
|---------------------|-------|-------|
| 2.0 | 3.8 | 8.5 |
| 2.5 | 4.2 | 9.8 |
| 3.0 | 4.6 | 11.0 |
| 3.5 | 4.9 | 12.0 |
| 4.0 | 5.0 | 12.8 |

Maintenance factor 0.90

PHOTOMETRIC GUIDE

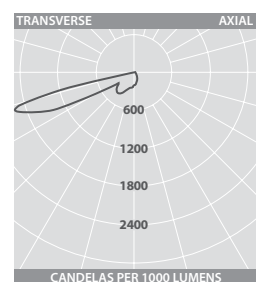


SPACING TABLE

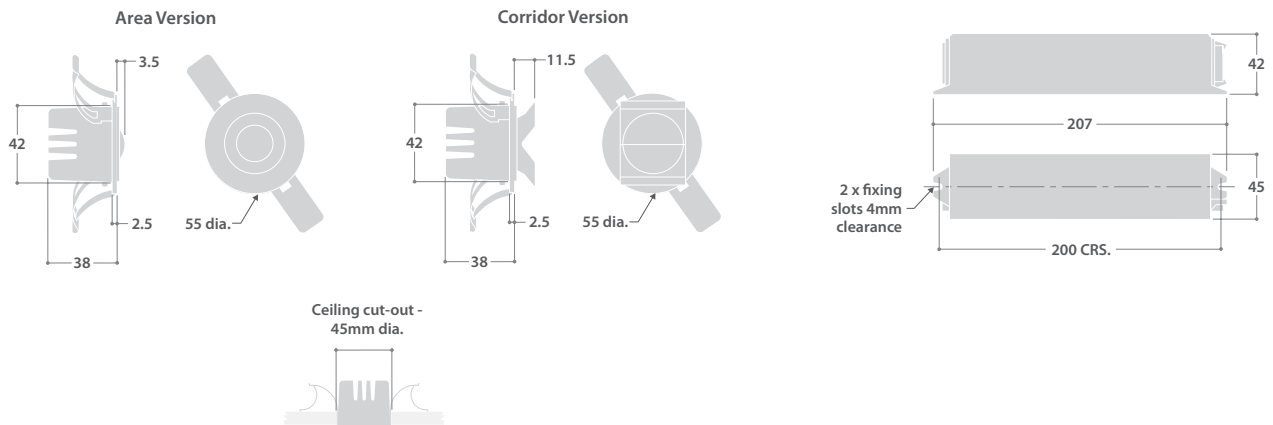
| MOUNTING HEIGHT (m) | A (m) | B (m) |
|---------------------|-------|-------|
| 2.0 | 7.5 | 17.9 |
| 2.5 | 8.7 | 20.8 |
| 3.0 | 9.2 | 23.3 |
| 3.5 | 4.8 | 21.9 |
| 4.0 | 4.9 | 21.5 |

Maintenance factor 0.90

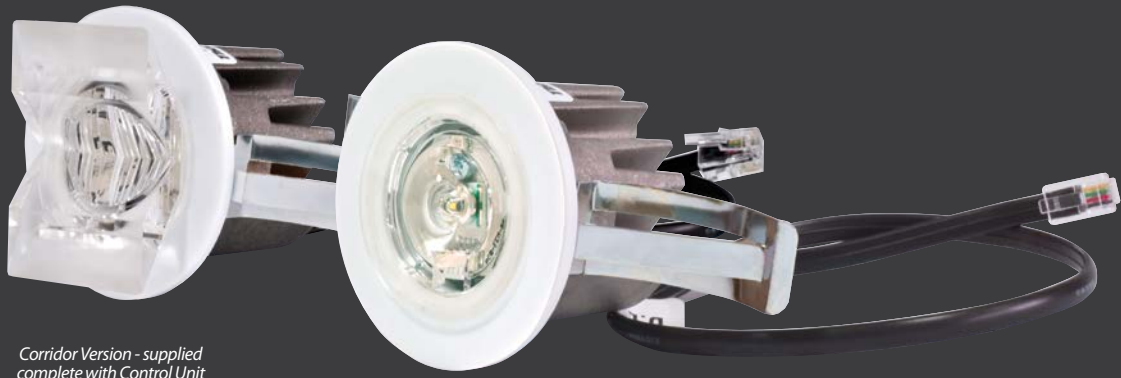
PHOTOMETRIC GUIDE



DIMENSIONS



EMERGENCY LED RECESSED AREA & CORRIDOR VERSIONS



Corridor Version - supplied complete with Control Unit

Area Version - supplied complete with Control Unit

LED EMERGENCY LUMINAIRES FOR RECESSED MOUNTING

IP65 DOWNLIGHTER (BELOW CEILING)

IP40 DOWNLIGHTER (ABOVE CEILING)

IP20 CONTROL UNIT

CE LED

SPECIFICATION

- Small size - unobtrusive
- Three hour, non-maintained emergency operation
- Stand-alone self-test and Scanlight AT compatible
- May be positioned for maximum effect
- Reliable LED technology
- Status indicator shows operational condition
- Low power consumption (4W total)
- Superb photometric performance
- Die-cast heat sink for long LED life

Luminaires used at Scanlight AT platforms 1 and 2 may self-test at any time. Consequently, caution should be exercised in situations where this may be inconvenient (such as hotel rooms or hospital wards). Scanlight AT platform 3 has inhibit features.



LED DALI Emergency Control Unit supplied with Scanlight LED Downlighters

RANGE

| CAT. No. | DISTRIBUTION | TYPE | APPROX. kg |
|-----------|--------------|----------------|------------|
| SLA 13697 | Area | Non-maintained | 0.9 |
| SLA 13698 | Corridor | Non-maintained | 0.9 |

ACCESSORIES

| DESCRIPTION | CAT. No. |
|-------------------------------------------------------------------|-----------|
| Mounting bracket for control unit † | SLA 13101 |
| LED plasterboard bezel ▲ | SLA 13213 |
| Mains supply plug (required when not using modular wiring cables) | SLA 12982 |

† Fits across ceiling T-bars

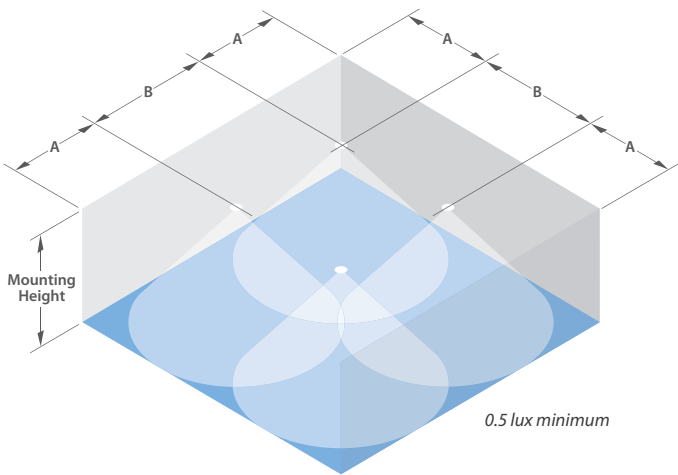
▲ Required for use with plasterboard ceilings (masks larger 60mm dia. cut-out)

NOTE: When used with plasterboard ceilings use SLA 13213 bezel and 60mm dia. cut-out (approx.)

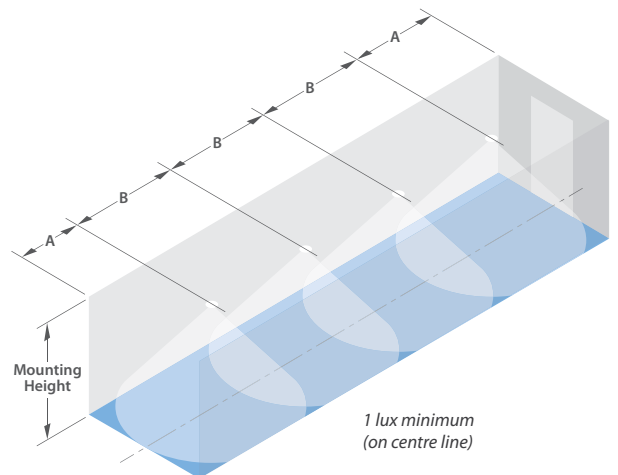


EMERGENCY LIGHTING PERFORMANCE GUIDE

TYPICAL SPACING FOR OPEN AREAS



TYPICAL SPACING FOR CORRIDORS

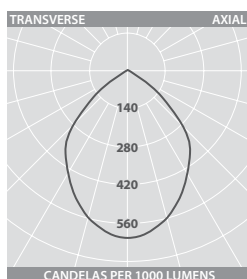


SPACING TABLE

| MOUNTING HEIGHT (m) | A (m) | B (m) |
|---------------------|-------|-------|
| 2.0 | 2.5 | 4.7 |
| 2.5 | 2.9 | 5.7 |
| 3.0 | 3.1 | 6.6 |
| 3.5 | 3.3 | 7.5 |
| 4.0 | 3.4 | 8.3 |

Maintenance factor 0.90

PHOTOMETRIC GUIDE

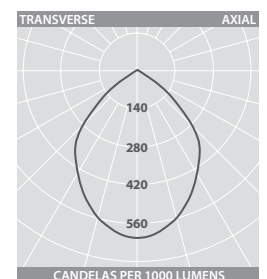


SPACING TABLE

| MOUNTING HEIGHT (m) | A (m) | B (m) |
|---------------------|-------|-------|
| 2.0 | 2.6 | 6.0 |
| 2.5 | 3.0 | 7.0 |
| 3.0 | 3.2 | 7.8 |
| 3.5 | 3.5 | 8.5 |
| 4.0 | 3.6 | 9.1 |

Maintenance factor 0.90

PHOTOMETRIC GUIDE



EMERGENCY LED RECESSED STANDARD VERSION

LED EMERGENCY LUMINAIRES FOR RECESSED MOUNTING

IP20 DOWNLIGHTER
(BELOW CEILING)

IP40 DOWNLIGHTER
(ABOVE CEILING)

IP20 CONTROL UNIT



LED

SPECIFICATION

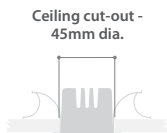
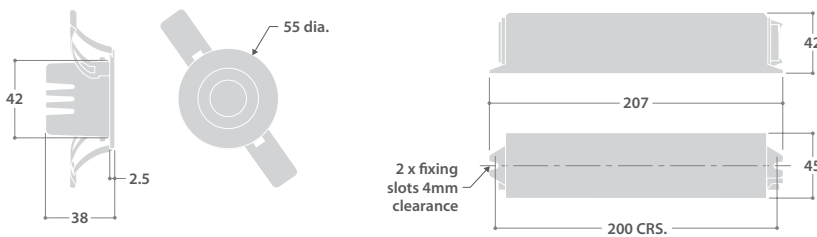
- Small size - unobtrusive
- Three hour, non-maintained emergency operation
- Stand-alone self-test and Scanlight AT compatible
- May be positioned for maximum effect
- Reliable LED technology
- Status indicator shows operational condition
- Low power consumption (4W total)
- Die-cast heat sink for long LED life



*Downlighter supplied
complete with Control Unit*

Luminaires used at Scanlight AT platforms 1 and 2 may self-test at any time. Consequently, caution should be exercised in situations where this may be inconvenient (such as hotel rooms or hospital wards). Scanlight AT platform 3 has inhibit features.

DIMENSIONS



Ceiling cut-out -
45mm dia.



*LED DALI Emergency Control
Unit supplied with Scanlight
LED Downlighters*

NOTE: When used with plasterboard ceilings use SLA 13213 bezel and 60mm dia. cut-out (approx.)

RANGE

| CAT. No. | TYPE | APPROX. kg |
|-----------|----------------|------------|
| SLA 12975 | Non-maintained | 0.9 |

ACCESSORIES

| DESCRIPTION | CAT. No. |
|-------------------------------------------------------------------|-----------|
| Mounting bracket for control module † | SLA 13101 |
| LED plasterboard bezel ▲ | SLA 13213 |
| Mains supply plug (required when not using modular wiring cables) | SLA 12982 |

† Fits across ceiling T-bars

▲ Required for use with plasterboard ceilings (masks larger 60mm dia. cut-out)