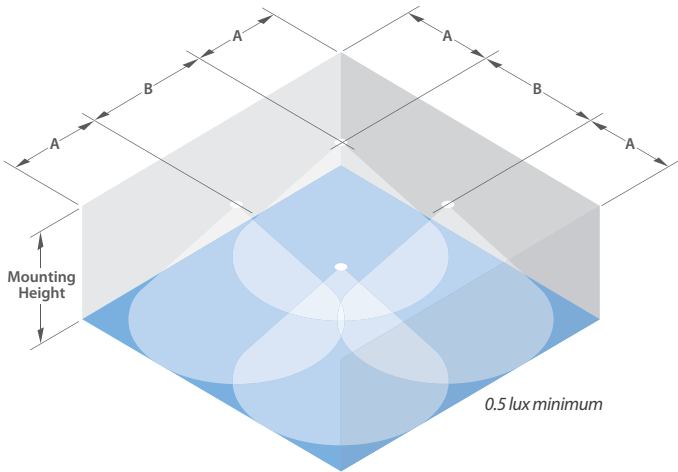
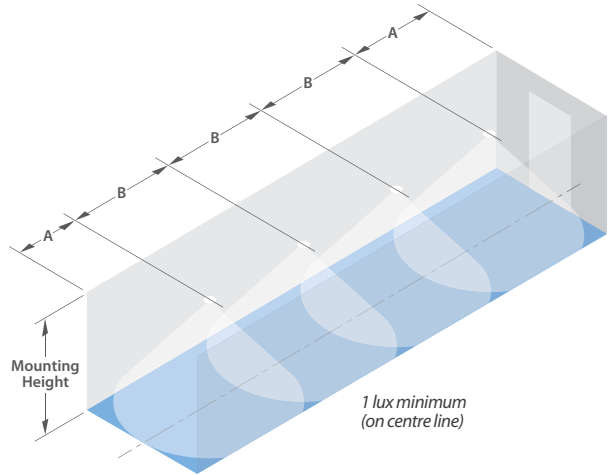


EMERGENCY LIGHTING PERFORMANCE GUIDE

TYPICAL SPACING FOR AREA LENS



TYPICAL SPACING FOR CORRIDOR (ESCAPE ROUTE) LENS

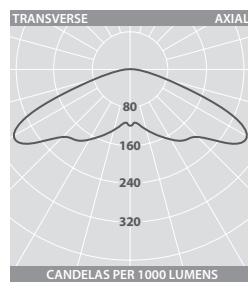


SPACING TABLE

MOUNTING HEIGHT (m)	A (m)	B (m)
2.0	3.8	8.5
2.5	4.2	9.8
3.0	4.6	11.0
3.5	4.9	12.0
4.0	5.0	12.8

Maintenance factor 0.90

PHOTOMETRIC GUIDE

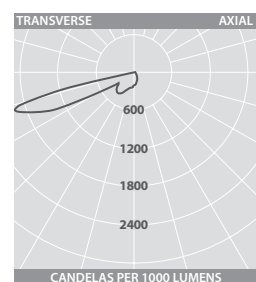


SPACING TABLE

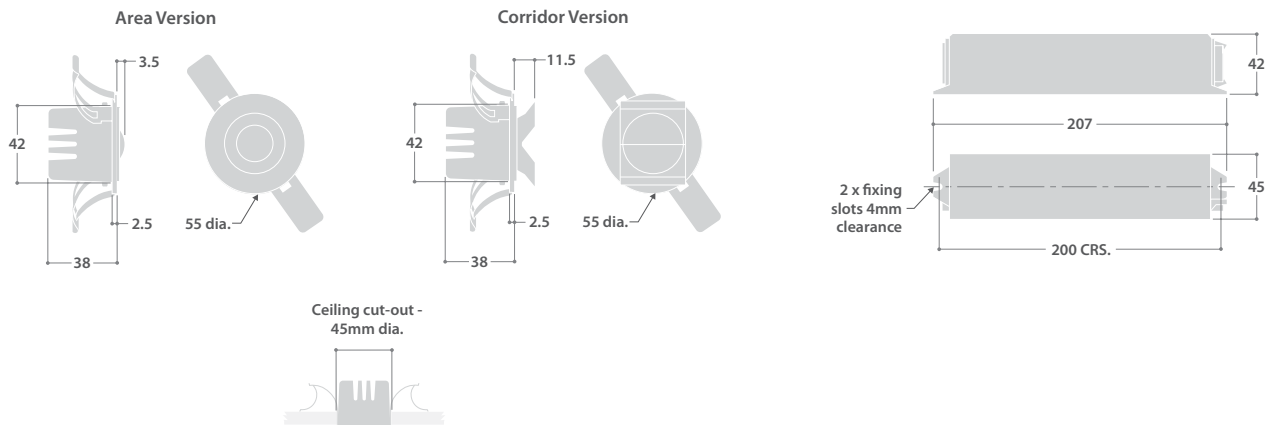
MOUNTING HEIGHT (m)	A (m)	B (m)
2.0	7.5	17.9
2.5	8.7	20.8
3.0	9.2	23.3
3.5	4.8	21.9
4.0	4.9	21.5

Maintenance factor 0.90

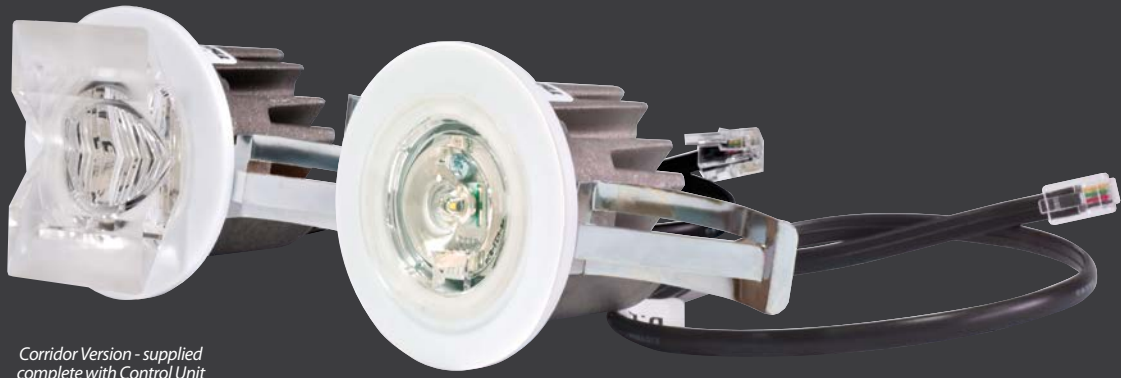
PHOTOMETRIC GUIDE



DIMENSIONS



LED DOWNLIGHTER AREA & CORRIDOR VERSIONS



Corridor Version - supplied complete with Control Unit

Area Version - supplied complete with Control Unit

LED EMERGENCY LUMINAIRES FOR RECESSED MOUNTING

IP65 DOWNLIGHTER (BELOW CEILING)

IP40 DOWNLIGHTER (ABOVE CEILING)

IP20 CONTROL UNIT

CE LED

SPECIFICATION

- Small size - unobtrusive
- Three hour, non-maintained emergency operation
- Stand-alone self-test and Scanlight AT compatible
- May be positioned for maximum effect
- Reliable LED technology
- Status indicator shows operational condition
- Low power consumption (4W total)
- Superb photometric performance
- Die-cast heat sink for long LED life

Luminaires used at Scanlight AT platforms 1 and 2 may self-test at any time. Consequently, caution should be exercised in situations where this may be inconvenient (such as hotel rooms or hospital wards). Scanlight AT platform 3 has inhibit features.



LED DALI Emergency Control Unit supplied with Scanlight LED Downlighters

RANGE

CAT. No.	DISTRIBUTION	TYPE	APPROX. kg
SLA 13697	Area	Non-maintained	0.9
SLA 13698	Corridor	Non-maintained	0.9

ACCESSORIES

DESCRIPTION	CAT. No.
Mounting bracket for control unit †	SLA 13101
LED plasterboard bezel ▲	SLA 13213
Mains supply plug (required when not using modular wiring cables)	SLA 12982

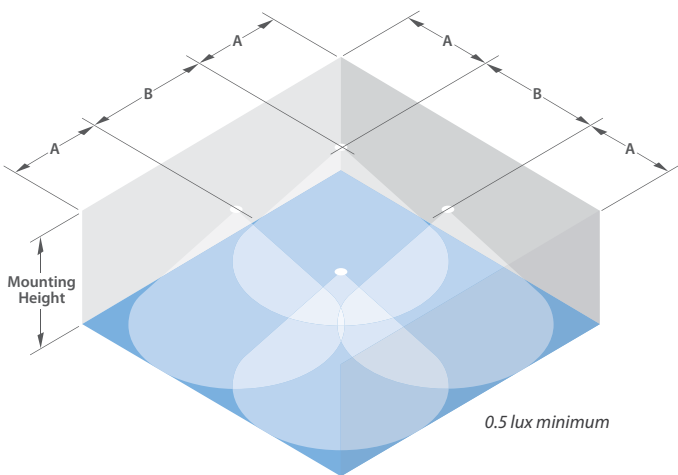
- † Fits across ceiling T-bars
- ▲ Required for use with plasterboard ceilings (masks larger 60mm dia. cut-out)

NOTE: When used with plasterboard ceilings use SLA 13213 bezel and 60mm dia. cut-out (approx.)

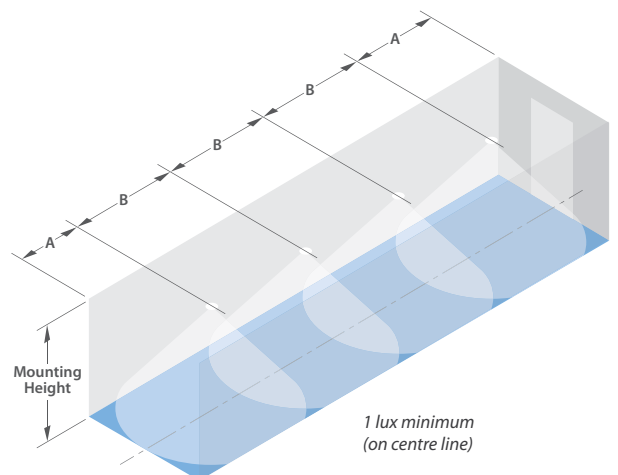


EMERGENCY LIGHTING PERFORMANCE GUIDE

TYPICAL SPACING FOR OPEN AREAS



TYPICAL SPACING FOR CORRIDORS

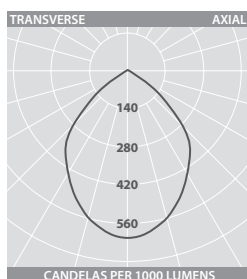


SPACING TABLE

MOUNTING HEIGHT (m)	A (m)	B (m)
2.0	2.5	4.7
2.5	2.9	5.7
3.0	3.1	6.6
3.5	3.3	7.5
4.0	3.4	8.3

Maintenance factor 0.90

PHOTOMETRIC GUIDE

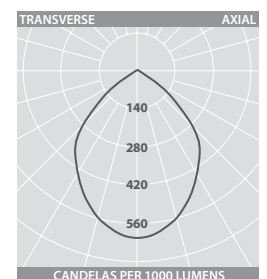


SPACING TABLE

MOUNTING HEIGHT (m)	A (m)	B (m)
2.0	2.6	6.0
2.5	3.0	7.0
3.0	3.2	7.8
3.5	3.5	8.5
4.0	3.6	9.1

Maintenance factor 0.90

PHOTOMETRIC GUIDE



LED DOWNLIGHTER STANDARD VERSION

LED EMERGENCY LUMINAIRES FOR RECESSED MOUNTING

IP20 DOWNLIGHTER
(BELOW CEILING)

IP40 DOWNLIGHTER
(ABOVE CEILING)

IP20 CONTROL UNIT

CE

LED

SPECIFICATION

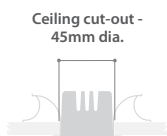
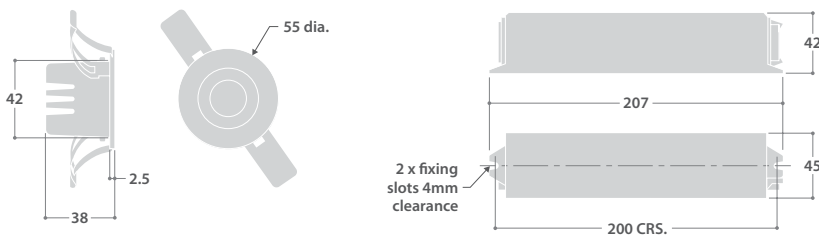
- Small size - unobtrusive
- Three hour, non-maintained emergency operation
- Stand-alone self-test and Scanlight AT compatible
- May be positioned for maximum effect
- Reliable LED technology
- Status indicator shows operational condition
- Low power consumption (4W total)
- Die-cast heat sink for long LED life

Luminaires used at Scanlight AT platforms 1 and 2 may self-test at any time. Consequently, caution should be exercised in situations where this may be inconvenient (such as hotel rooms or hospital wards). Scanlight AT platform 3 has inhibit features.



*Downlighter supplied
complete with Control Unit*

DIMENSIONS



Ceiling cut-out -
45mm dia.



*LED DALI Emergency Control
Unit supplied with Scanlight
LED Downlighters*

NOTE: When used with plasterboard ceilings use SLA 13213 bezel and 60mm dia. cut-out (approx.)

RANGE

CAT. No.	TYPE	APPROX. kg
SLA 12975	Non-maintained	0.9

ACCESSORIES

DESCRIPTION	CAT. No.
Mounting bracket for control module †	SLA 13101
LED plasterboard bezel ▲	SLA 13213
Mains supply plug (required when not using modular wiring cables)	SLA 12982

† Fits across ceiling T-bars

▲ Required for use with plasterboard ceilings (masks larger 60mm dia. cut-out)