





RADIANCE



The Thorlux Radiance is a UK designed and manufactured LED edge-lit panel built to a high specification. It uses fire retardant exposed parts and the control gear is housed in a metallic enclosure securely fixed to the rear of the luminaire.

Versions are available for use with exposed T ceilings, solid ceilings and suspended applications with an additional installation kit providing an option for cut-aperture plasterboard ceilings.

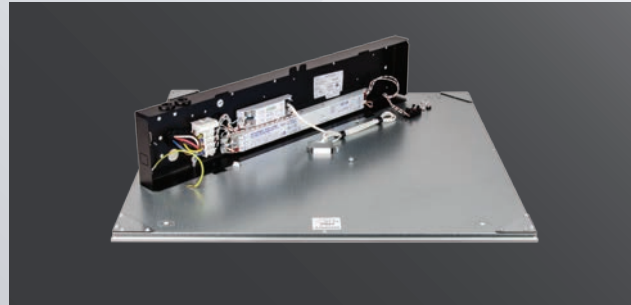
Several power choices are complemented with emergency derivatives and Smart energy saving versions.



CONSTRUCTION



The sophisticated shallow construction of the Radiance incorporates all the control gear into the luminaire housing. This removes the need for a separate remote gear enclosure secured elsewhere behind the ceiling and ensures that all parts of the luminaire are properly earthed and electrically safe.



High quality, high power factor electronic control gear is used, and a fused live terminal is fitted for circuit protection.



192 medium power LEDs are placed around the edges of the luminaire, mounted onto aluminium backed circuit boards, for excellent thermal transfer and for optimum cooling.



Excellent overall thermal management of the LEDs and control gear provides a life expectancy of the system of 59,000 hours to L80 B10.



Integral emergency gear operates all of the LEDs, at a reduced level, in the event of a power failure.



Smart recessed versions use a discreetly mounted Smart sensor and can often provide energy savings in excess of 70%. Smart versions are installed quickly and correctly with the new Thorlux made LCM fast wiring system, saving installation time and costs.



GEAR COMPARTMENT

Hinges for easy access/wiring. Zinc plated steel powder coated black.

BODY

Corrosion resistant galvanised steel.

REFLECTOR

Maximises downward light efficiency, exceeding 100 luminaire lumens per circuit watt.

LIGHT GUIDE

Ensures that the front panel is illuminated uniformly without any dark areas or the "spotting" so often associated with LED luminaires.

DIFFUSER

Opal or LG7 flame retardant polycarbonate. TP(a) rating for compliance with UK Building Regulations.

LED CIRCUIT BOARDS

Fitted to extruded heat sink frame.



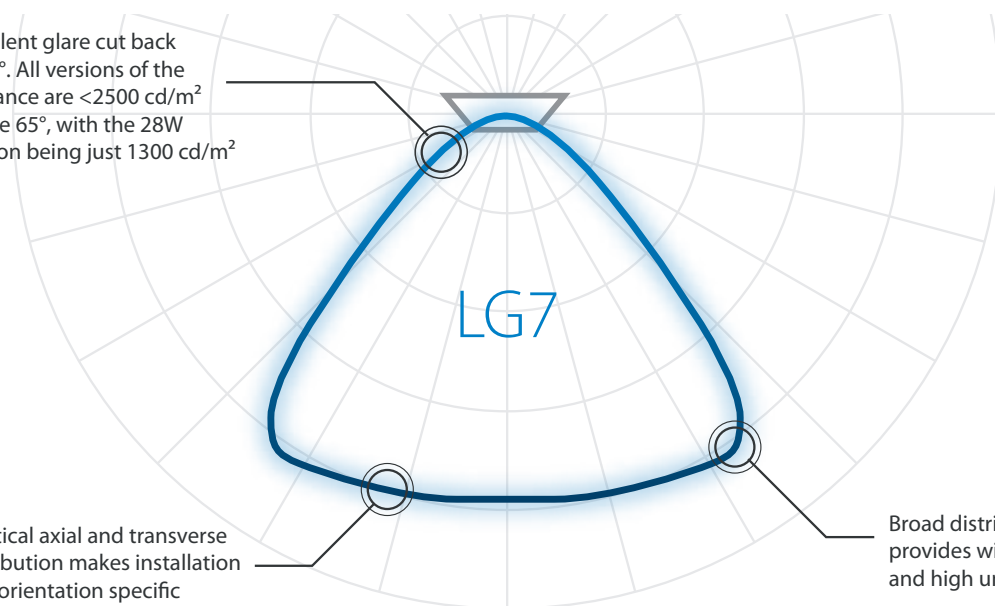
LG7 VERSIONS

LG7 versions of the Radiance utilise a micro-prism diffuser which provides excellent optical control and dramatically reduces glare. In accordance with LG7:2015 (Office Lighting Guide) and BS EN 12464-1:2011 (Light and lighting, Indoor work places.)

Luminaires are required to meet luminance and unified glare rating (UGR) limits in order to facilitate a comfortable working environment and limit reflections in computer screens.

The high performance micro-prism diffuser not only optimises the light distribution but also carefully controls the luminance and glare making it ideal for office applications.

Excellent glare cut back at 65°. All versions of the Radiance are $<2500 \text{ cd/m}^2$ above 65°, with the 28W version being just 1300 cd/m^2



Identical axial and transverse distribution makes installation non-orientation specific

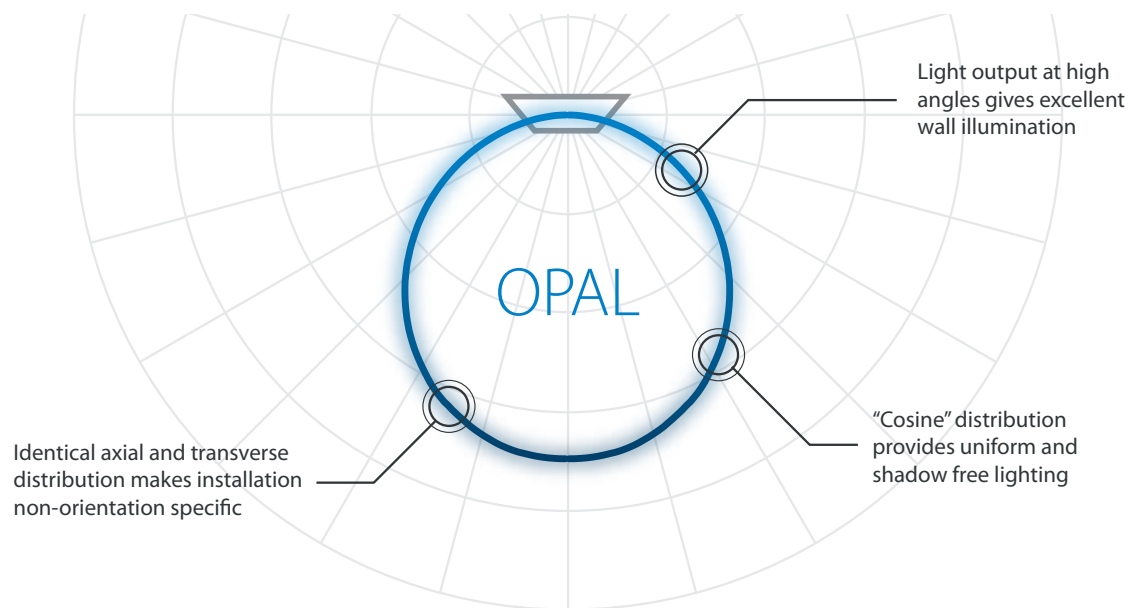
Broad distribution provides wide spacings and high uniformity

◆ LUMEN OUTPUT OPTIONS:
1820lm - 4960lm

OPAL VERSIONS



Opal versions of the Radiance provide an outstanding general purpose luminaire having a uniform "sky light" appearance with excellent wall illumination and uniformity.



◆ LUMEN OUTPUT OPTIONS
2000lm - 5640lm



RECESSED

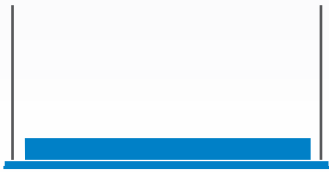
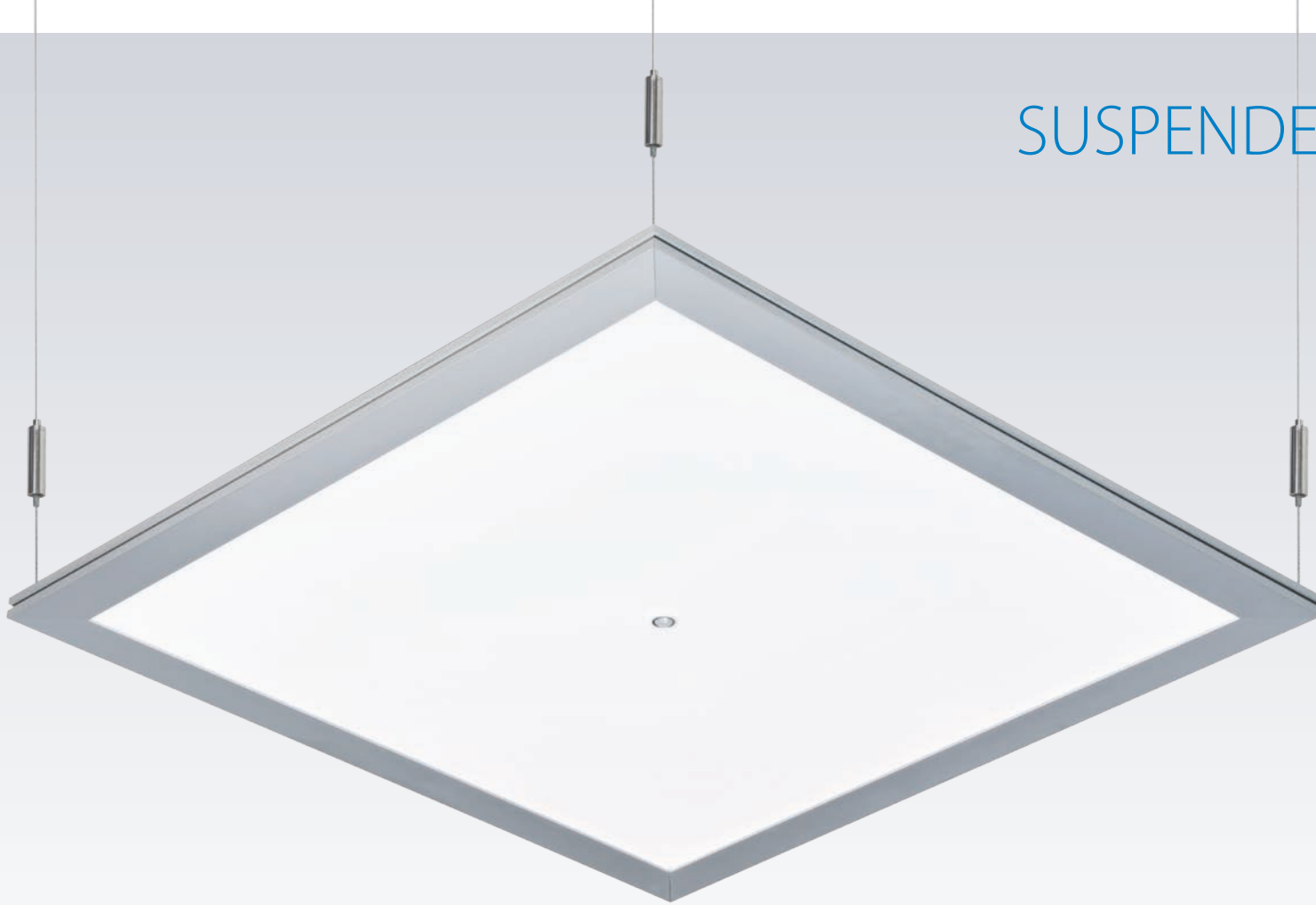


Recessed version suitable for 15 & 24mm exposed "T" ceilings



Additional accessory allows the Radiance to be recessed into a plasterboard cut aperture ceiling.

SUSPENDED



Slim profile with wider aluminium frame provides the illusion of a floating illuminated panel







Surface versions with aluminium frame. Cable entries are provided to the rear and at opposing sides to allow wiring with 20mm conduit.



INTELLIGENT LIGHTING CONTROL



Smart

The world's ever increasing demand for energy is rapidly changing our environment and the need for energy efficiency in every aspect of our daily lives has never been greater.

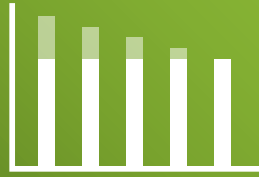
The Thorlux Smart System exploits the latest 'Digital Technology' to provide a simple, effective method of lighting control which minimises energy consumption whilst retaining high levels of user comfort.

A discrete sensor integral to the luminaire monitors ambient light and presence, controlling output to the correct level and ensuring that the area is only illuminated when occupied.

Savings by the installation of automatic lighting control systems often exceed 70%.

Find out more at
www.thorlux.com/smart





MAINTAINED ILLUMINANCE

Smart luminaires maintain the desired lighting level throughout the maintenance cycle by automatically increasing lamp/LED output as the light source ages, avoiding over lighting new installations.



DAYLIGHT DIMMING

When daylight enters an area the sensors will take this light into account and gradually dim the lamps, saving energy whilst maintaining the required light level.



MOVEMENT DETECTION

Presence sensors in all luminaires ensure excellent detection coverage, so that Smart luminaires switch on when movement is detected and stay on whilst the room is being used.



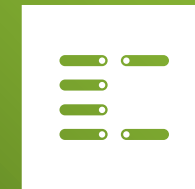
MOTIONLINE

If any single luminaire detects movement all connected luminaires within the group will illuminate. The Motionline ensures that there will always be a well-lit comfortable environment.



MANUAL DIMMING

Thorlux Smart luminaires can be manually controlled using a retractive (push to make) switch or the Smart-Remote infra-red handset.



SCENE CONTROL

Scene control gives the ability to set one of three pre-programmed scenes with the press of a single button.



PROGRAMMING

A range of parameters can be programmed to enable the lighting system to match specific application requirements.



FAST INSTALLATION

Pre-wired interconnecting leads provide rapid, error-free installation and flexibility for future modifications to the system.



POWER MONITORING

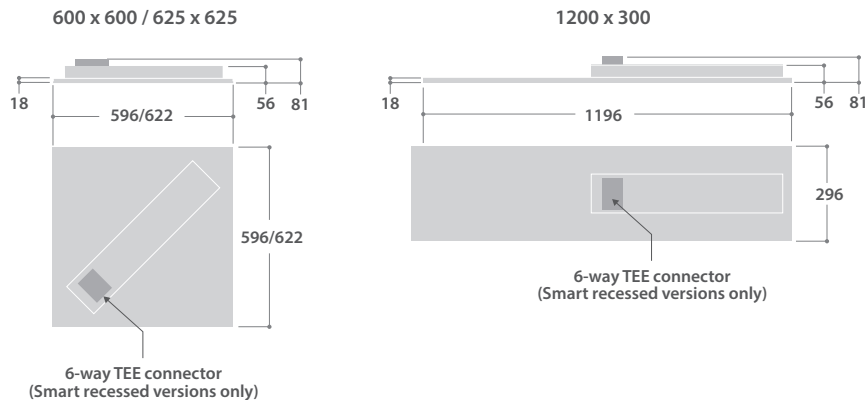
Smart sensors monitor and record certain operating parameters which can then be retrieved for analysis to provide maintenance and energy usage information.



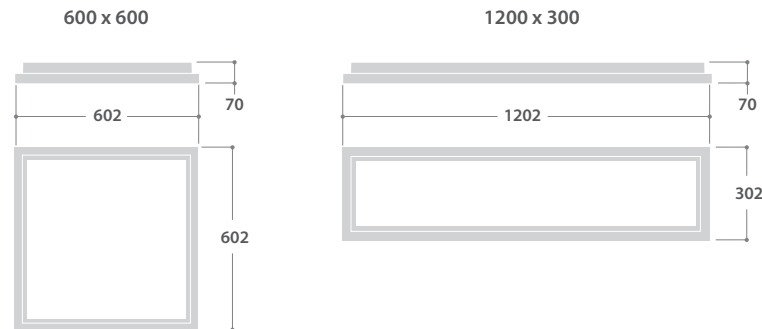
TECHNICAL INFORMATION

DIMENSIONS

RECESSED / SUSPENDED

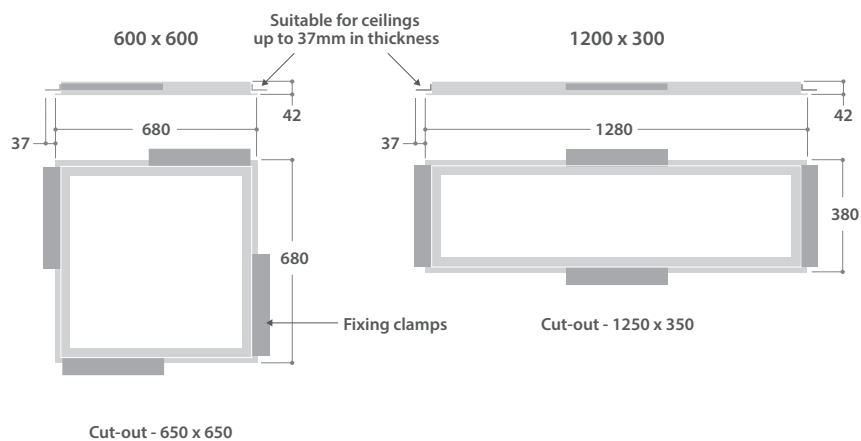


SURFACE

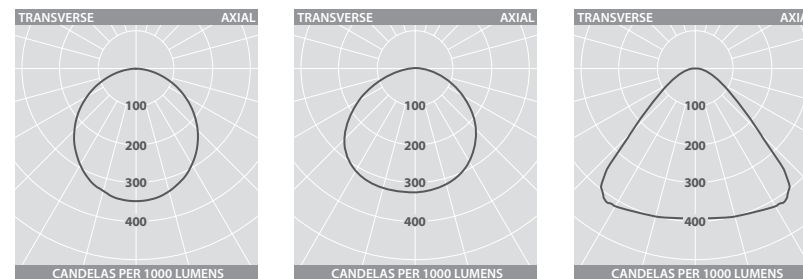


All dimensions in millimetres

RECESSING FRAME (FOR PLASTERBOARD CEILINGS)



PHOTOMETRIC GUIDE



600 x 600 & 625 x 625 - OPAL

Luminaire Lumen Output
 16W = 2000lm
 28W = 3320lm
 38W = 4345lm
 51W = 5460lm

1200 x 300 - OPAL

Luminaire Lumen Output
 16W = 2020lm
 28W = 3360lm
 38W = 4415lm
 51W = 5640lm

600 x 600 - LG7: 2015

Luminaire Lumen Output
 16W = 1820lm
 28W = 3020lm
 38W = 3950lm
 51W = 4960lm

LED EDGE-LIT LUMINAIRES

IP20 ABOVE IP44 BELOW IK08



SPECIFICATION

- Strong extruded aluminium heat sink frame
- Fire-retardant polycarbonate flat panel opal diffuser or LG7 micro-prism diffuser
- Zinc coated steel gear enclosure securely fastened to the luminaire housing
- Recessed lay in, plasterboard, surface and suspended options
- Edge-lit diffuser technology eliminates visible LEDs
- Smart versions with intelligent lighting control
- Optional SmartScan wireless technology removes the need for control cabling. Ideal for retro-fit.
- Fitted with 4000K LEDs

LED CHARACTERISTICS

CRI	80+
COLOUR TEMPERATURE	4000K
RATED LIFE (HOURS)	59K - L80/B10
PROTECTION	LUX GUARD
DRIVER EFFICIENCY	>85%
REPLACEABLE	-
POWER FACTOR	>0.9
LL/CW	106.3

For LED characteristics explanation see www.thorlux.com/led-characteristics

HIGH COLOUR RENDERING
RA90+ VERSIONS AVAILABLE
TO SPECIAL ORDER

RECESSED - FINISHED ANODISED SILVER

	NOMINAL SIZE (mm)	LED	OPAL VERSION	LG7:2015 VERSION	APPROX. kg	CIRCUIT
SMART	600 x 600	16W	RAD 16400	RAD 16721	7.0	D/SS
		28W	RAD 16401	RAD 16722	7.0	D/SS
		38W	RAD 16402	RAD 16723	7.0	D/SS
		51W	RAD 16403	RAD 16724	7.0	D/SS
	1200 x 300	16W	RAD 16713		7.0	D/SS
28W		RAD 16714		7.0	D/SS	
38W		RAD 16715		7.0	D/SS	
51W		RAD 16716		7.0	D/SS	
STANDARD		600 x 600	16W	RAD 16404	RAD 16725	6.9
	28W		RAD 16405	RAD 16726	6.9	L/A
	38W		RAD 16406	RAD 16727	6.9	L/A
	1200 x 300	51W	RAD 16407	RAD 16728	6.9	L/A
		16W	RAD 16717		6.9	L/A
		28W	RAD 16718		6.9	L/A
		38W	RAD 16719		6.9	L/A
		51W	RAD 16720		6.9	L/A

1200 x 600mm VERSIONS AVAILABLE TO SPECIAL ORDER

SURFACE- FINISHED SATIN WHITE RAL9016

	NOMINAL SIZE (mm)	LED	OPAL VERSION	LG7:2015 VERSION	APPROX. kg	CIRCUIT
SMART	600 x 600	16W	RAD 16920	RAD 16928	10.7	D/SS
		28W	RAD 16921	RAD 16929	10.7	D/SS
		38W	RAD 16922	RAD 16930	10.7	D/SS
		51W	RAD 16923	RAD 16931	10.7	D/SS
	1200 x 300	16W	RAD 17054		11.0	D/SS
28W		RAD 17055		11.0	D/SS	
38W		RAD 17056		11.0	D/SS	
51W		RAD 17057		11.0	D/SS	
STANDARD		600 x 600	16W	RAD 16924	RAD 16932	10.6
	28W		RAD 16925	RAD 16933	10.6	L/A
	38W		RAD 16926	RAD 16934	10.6	L/A
	51W		RAD 16927	RAD 16935	10.6	L/A
	1200 x 300	16W	RAD 17058		10.9	L/A
		28W	RAD 17059		10.9	L/A
		38W	RAD 17060		10.9	L/A
		51W	RAD 17061		10.9	L/A

SUSPENDED - FINISHED ANODISED SILVER

	NOMINAL SIZE (mm)	LED	OPAL VERSION	APPROX. kg	CIRCUIT
SMART	625 x 625	16W	RAD 17005	7.4	D/SS
		28W	RAD 17006	7.4	D/SS
		38W	RAD 17007	7.4	D/SS
		51W	RAD 17008	7.4	D/SS
STANDARD	625 x 625	16W	RAD 17009	7.3	L/A
		28W	RAD 17010	7.3	L/A
		38W	RAD 17011	7.3	L/A
		51W	RAD 17012	7.3	L/A

CIRCUIT TYPE - suffix catalogue number with:

SMART D - Smart / SS - SmartScan
STANDARD L - non-dimming / A - dimming (DALI)
e.g. **RAD 16400SS** etc.

EMERGENCY VERSION - prefix catalogue number with:

ERD - Emergency / **TRD** - AutoTest / **DRD** - Scanlight AT (DALI)
e.g. **ERD 16404L** etc.
Add 0.3kg to weights listed

RECESSING FRAME KIT FOR PLASTERBOARD CEILINGS - FINISHED SATIN WHITE RAL9016

DESCRIPTION	CAT. No	APPROX. kg
600 x 600*	RAD 16877	3.7
1200 x 300*	RAD 16878	4.2

* For use with recessed luminaires

ORDERING EXAMPLE:

600 x 600 Radiance 16W Opal Smart for recessing into plasterboard ceiling - **RAD 16400D/RAD 16877**



Web link: Smart System >



Designers, manufacturers and suppliers
of professional lighting systems

INDUSTRIAL LUMINAIRES
COMMERCIAL LUMINAIRES
FLOODLIGHTING LUMINAIRES
ARCHITECTURAL LUMINAIRES
HEALTHCARE LUMINAIRES
HAZARDOUS AREA LUMINAIRES
RETAIL & DISPLAY LUMINAIRES
CONTROLS AND SYSTEMS

A DIVISION OF F.W. THORPE PLC

Thorlux Carbon Offsetting Project:
www.thorlux.com/trees

The information given in this catalogue is typical and must not be interpreted as a guarantee of individual product performance and/or characteristics. We reserve the right to alter specifications and designs without prior notice.

Thorlux Lighting
Merse Road
North Moons Moat
Redditch
Worcestershire
B98 9HH
England

T +44 (0)1527 583200
F +44 (0)1527 584177
E thorlux@thorlux.co.uk
W www.thorlux.com

Direct UK Sales Line: 01527 583222

Thorlux Lighting Ireland
Unit G6
Riverview Business Park
Nangor Road
Gallanstown
Dublin 12
Ireland

T +353 (0)1 460 4608
F +353 (0)1 460 4609
E thorlux@thorlux.ie
W www.thorlux.ie

Thorlux Lighting Deutschland
Ernst Gnoß Strasse 7
40219 Düsseldorf
Deutschland

T +49 (0)211 695 603-10
F +49 (0)211 695 603-11
E thorlux@thorlux.de
W www.thorlux.de

Thorlux Lighting Australasia Pty Ltd.
31 Cross Street
Brookvale
Sydney
NSW 2100
Australia

T 1300 04 32 32
T +61 (0)2 9907 1261
E thorlux@thorlux.com.au
W www.thorlux.com.au

Registered No. ABN 139 400 507

Thorlux Lighting LLC
Office 334
European Business Centre
Green Community
Dubai Investment Park 1
PO Box 33484
Dubai
United Arab Emirates

T +971 (0)2 656 5842
F +971 (0)2 622 4149
E sales@thorlux.ae
W www.thorlux.ae

