

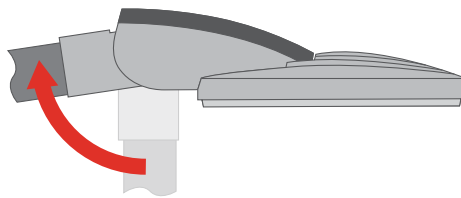
STARBEAM



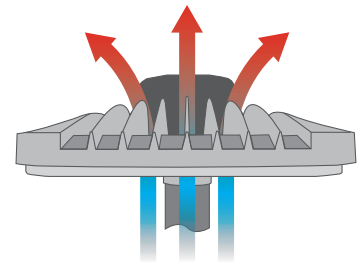
The new Starbeam range of precision engineered LED area floodlights and streetlights takes external lighting to a new dimension in terms of efficiency (up to 109 lumens per circuit watt) and longevity (up to 100,000 hours). This is achieved through significant investment in high quality die-cast heat sinks and in house manufactured printed circuit boards positioning the very latest top brand LEDs within precise acrylic lenses. A range of power levels, two optical distribution types and two body sizes provides every option necessary for car park, general amenity and road lighting applications.



1. "Free draining" curved heat sink eliminates ponding of fluids



2. Integral adjustable mounting spigot allows easy retrofit on to a wide range of columns and brackets whilst maintaining 0° elevation



3. Heat dissipation fins combined with air flow between heat sink and gear compartment extends control gear lifetime

ACCESSORIES - see page 200

DESCRIPTION	CAT. No.
Wall mounting bracket	SB 15808
76mm to 60mm bracket arm reducer	SB 15809
76mm to 42mm bracket arm reducer	SB 15810
76mm to 34mm bracket arm reducer	SB 16358
89mm to 76mm column adaptor	POT 89-76
114mm to 76mm column adaptor	POT 114-76

OPTIONS

DESCRIPTION	SUFFIX	EXAMPLE
Photocell	PC	SB 15800LPC





LED AREA FLOODLIGHTS AND STREET LIGHTS



WINDAGE - small: 0.06m² large: 0.07m²

SPECIFICATION

- Die-cast aluminium body and gear compartment finished polyester silver RAL9006
- Die-cast aluminium, fast release gear compartment lid finished polyester graphite
- Polycarbonate cover and acrylic high efficiency LED lenses
- Area or roadway optical distributions
- Integral high efficiency driver
- Extremely efficient and long system life up to 100,000 hours
- AutoTest version available. Can be connected to Scanlight AT using DALI connections
- Smart External versions with intelligent lighting control for use up to 6 metres mounting height
- Wireless Smart TR versions remove the need for control cabling. Ideal for retro-fit solutions
- Pole top 76mm as standard, adjustable through 90°
- Wall mounting bracket accessory
- Wide range of pole mounting options
- Photocell option
- Fitted with 5700K LEDs

RANGE

	LED	AREA DISTRIBUTION	ROADWAY DISTRIBUTION	APPROX. kg	CIRCUIT
SMART EXTERNAL	Small Version				
	31W ▲	SB 16129	SB 16130	8.1	D/TR
	62W ▲	SB 16131	SB 16132	8.1	D/TR
	Large Version				
	88W ▲	SB 16133	SB 16134	9.3	D/TR
	123W ■	SB 16135	SB 16136	9.3	D/TR
STANDARD	Small Version				
	31W ▲	SB 15800L	SB 15801L	8.0	
	62W ▲	SB 15802L	SB 15803L	8.0	
	Large Version				
	88W ▲	SB 15804L	SB 15805L	9.2	
	123W ■	SB 15806L	SB 15807L	9.2	

CIRCUIT TYPE - suffix catalogue number with:

SMART D - Smart / TR - Smart TR (Smart with wireless transceiver)

STANDARD L - non-dimming (LED) e.g. **SB 16129D** etc.

EMERGENCY VERSION (31W & 62W non-Smart versions only) - prefix catalogue number with:

TSB - AutoTest e.g. **TSB 15800L** etc. (can be connected to Scanlight AT using DALI connections)
AutoTest versions add 0.3kg to weights listed.

▲ Suitable for ambient temperatures up to 55°C / ■ Suitable for ambient temperatures up to 45°C

NOTE: - Glass version available to special order

- Emergency versions not suitable for high ambient temperatures

LED CHARACTERISTICS

Ra	°K	L70/B10	LL/CW	
70+	5700	100K	109.0	
P/U	%	R/Rx	PF	
P	90	R	>0.9	

For LED characteristics explanation see www.thorlux.com/led-characteristics

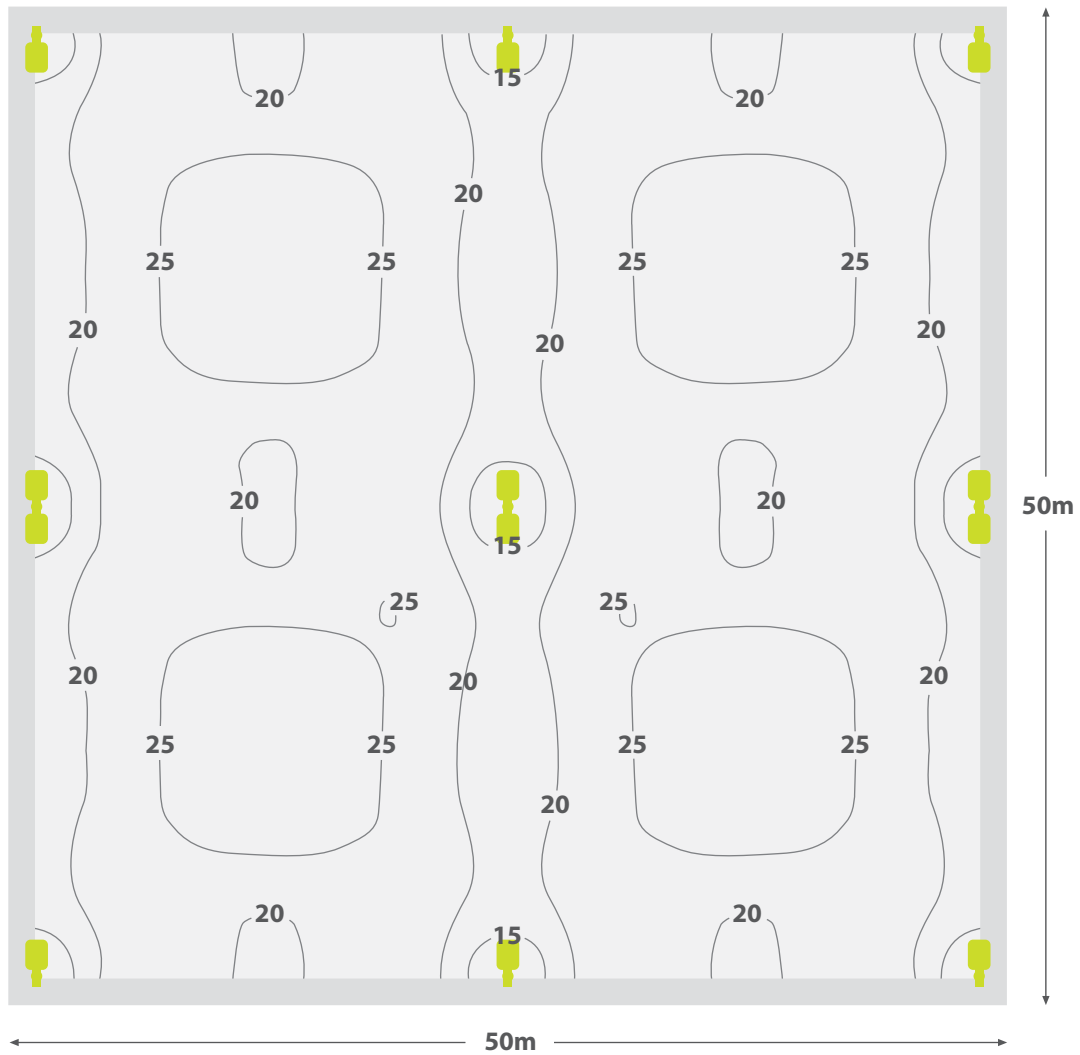


Smart External version

TYPICAL SPACING GUIDE

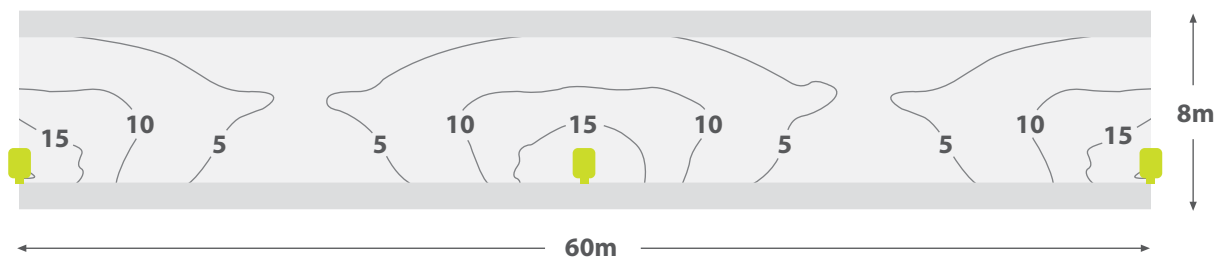
AREA DISTRIBUTION

88W LED / 8m mounting height / 25 x 25m spacing - Average illuminance = 23 lux / Uniformity = 0.54

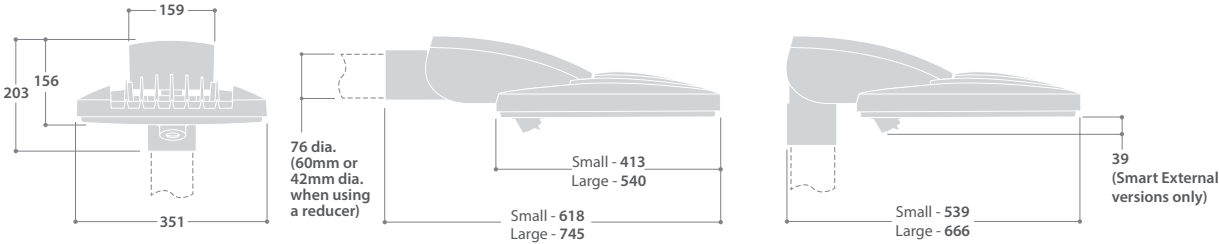


ROADWAY DISTRIBUTION

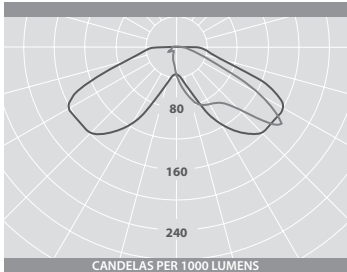
31W LED / 6m mounting height / 30m spacing - Average illuminance = 7.5 lux / Uniformity = 0.44



DIMENSIONS

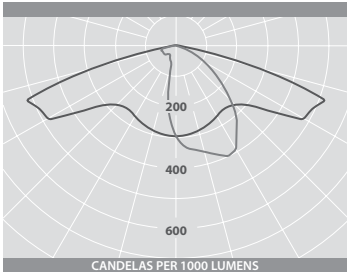


PHOTOMETRIC GUIDE



AREA DISTRIBUTION

Luminaire Lumen Output:
 31W = 3700lm
 62W = 6700lm
 88W = 9800lm
 123W = 13400lm



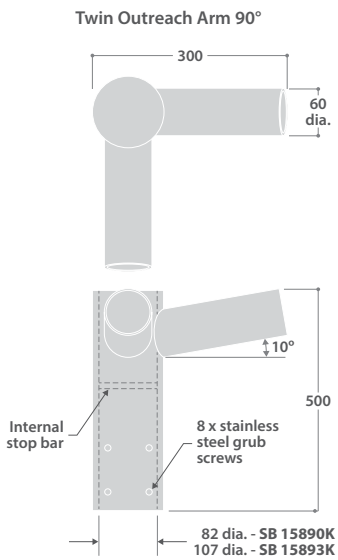
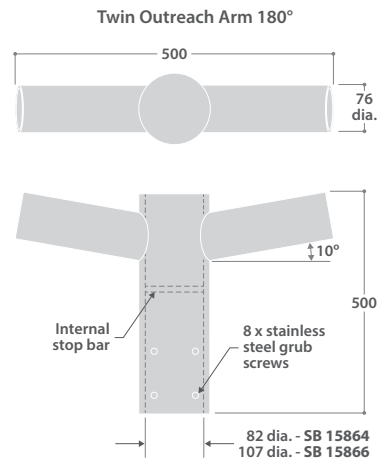
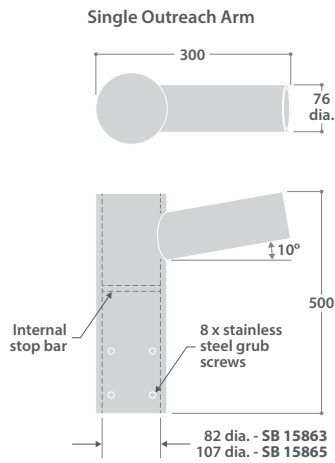
ROADWAY DISTRIBUTION

Luminaire Lumen Output:
 31W = 3700lm
 62W = 6700lm
 88W = 9800lm
 123W = 13400lm

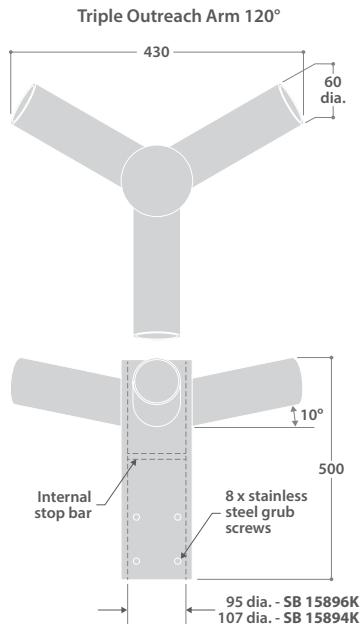


STARBEAM

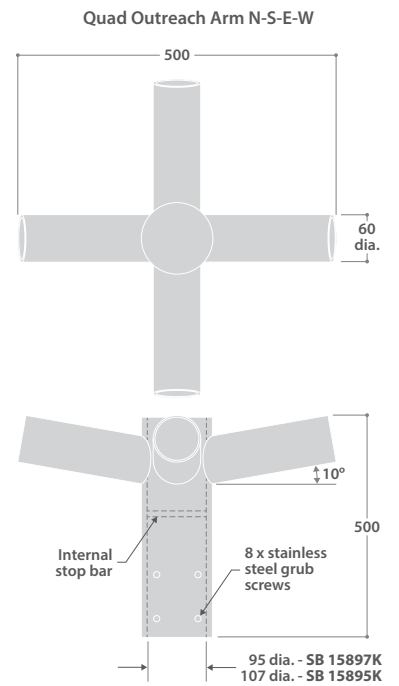
MOUNTING OPTIONS



Supplied with 2 x 76mm to 60mm reducer kits (SB 15809)

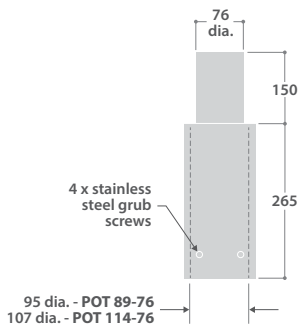


Supplied with 3 x 76mm to 60mm reducer kits (SB 15809)

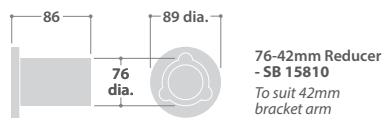
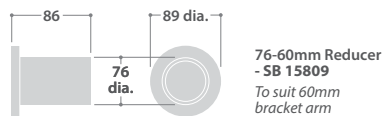


Supplied with 4 x 76mm to 60mm reducer kits (SB 15809)

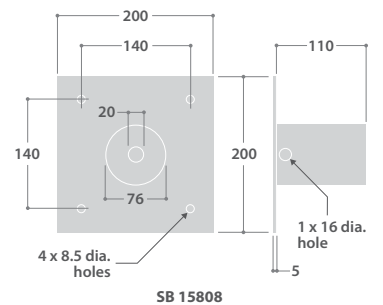
COLUMN ADAPTORS



BRACKET ARM REDUCERS



WALL MOUNTING BRACKET



For further mounting and bracket options please contact our Technical Department

STARBEAM COLUMNS

COLUMNS SPECIFICATION

- Stepped tubular galvanised steel columns, to BS EN 40-2:2004
- Mounting accessories are hot dip galvanised to BS EN ISO 1461:2009
- Black bitumen external coating to root
- Supplied with wooden baseboard for mounting cable connection accessories
- Accessories are easily fixed with stainless steel grub screws and have an internal stop to ensure cable exit

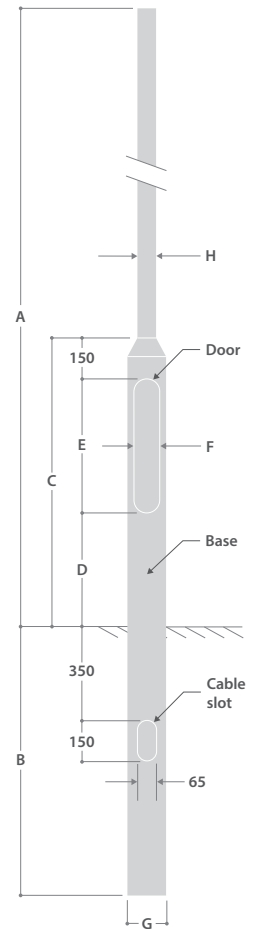
UK DELIVERY

Columns are delivered to site at a pre-arranged time. An off-loading service is not included and it is the responsibility of the client (or client's agent) for the safe undertaking of this requirement. A fork lift truck is recommended to minimise manual handling.

COLUMN RANGE

NOMINAL HEIGHT	CAT. No.	PLANTING DEPTH	BASE HEIGHT	DOOR HEIGHT	DOOR DIMENSIONS		BASE DIAMETER	SHAFT DIAMETER	APPROX. kg	BASEBOARD SIZE
A		B	C	D	E	F	G	H		
Single and Twin Starbeam Standard Columns										
4m	FC4	800	1075	425	500	100	140	76	33	89 (w) x 500 (h)
5m	FC5	800	1075	425	500	100	140	76	40	89 (w) x 500 (h)
6m	FC6	1000	1075	425	500	100	140	76	44	89 (w) x 500 (h)
8m	FC8	1200	1250	600	600	115	168	114 ■	100	89 (w) x 600 (h)
10m	FC10	1500	1250	600	600	115	168	114 ■	142	89 (w) x 600 (h)
Triple and Quad Starbeam Medium Duty Columns										
4m	FC4/JUNO	1200	1250	600	600	115	168	89	60	89 (w) x 500 (h)
5m	FC5/JUNO	1200	1250	600	600	115	168	89	64	89 (w) x 500 (h)
6m	FC6/JUNO	1200	1250	600	600	115	168	89	68	89 (w) x 500 (h)
8m	FC8	1200	1250	600	600	115	168	114 ■	100	89 (w) x 600 (h)
10m	FC10	1500	1250	600	600	115	168	114 ■	142	89 (w) x 600 (h)

■ Reduced at top to 101mm to accept accessories



ORDERING INFORMATION

	SINGLE COLUMN MOUNT	SINGLE OUTREACH ARM	TWIN OUTREACH ARM 180°	TWIN OUTREACH ARM 90°	TRIPLE OUTREACH ARM 120°	QUAD OUTREACH ARM N-S-E-W
Mounting Height	Column Adaptor	Column Bracket	Column Bracket	Column Bracket	Column Bracket	Column Bracket
4m	FC4	FC4 SB 15863	FC4 SB 15864	FC4 SB 15890K	FC4/JUNO SB 15896K	FC4/JUNO SB 15897K
5m	FC5	FC5 SB 15863	FC5 SB 15864	FC5 SB 15890K	FC5/JUNO SB 15896K	FC5/JUNO SB 15897K
6m	FC6	FC6 SB 15863	FC6 SB 15864	FC6 SB 15890K	FC6/JUNO SB 15896K	FC6/JUNO SB 15897K
8m	FC8 POT 114-76	FC8 SB 15865	FC8 SB 15866	FC8 SB 15893K	FC8 SB 15894K	FC8 SB 15895K
10m	FC10 POT 114-76	FC10 SB 15865	FC10 SB 15866	FC10 SB 15893K	FC10 SB 15894K	FC10 SB 15895K