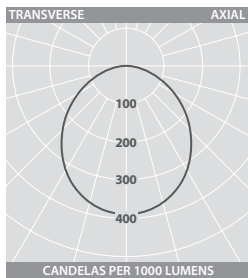
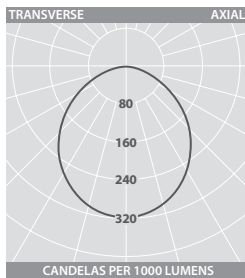




## PHOTOMETRIC GUIDE



**LED**  
Luminaire Lumen Output  
26W = 3260lm  
38W = 4560lm



**3 x 13W T5 ECO**  
L.O.R. 85%  
Factor:  
4 x 13W T5 ECO = 0.97  
4 x 20W T5 ECO = 0.93

## ACCESSORIES

DESCRIPTION	CAT. No.
Optional side arm suspension kit - <i>Lamp version</i> ▲	<b>HI 12349</b>
Optional side arm suspension kit - <i>LED version</i> ▲	<b>XL 11138</b>

▲ 4 arms per kit - not required for lay-in mounting

**WEB LINK >**  
"PLUG AND PLAY"  
LIGHTING CABLE  
MANAGEMENT





PATENT APPLIED FOR

## RECESSED LUMINAIRES WITH POLYCARBONATE DIFFUSER

IP44 BELOW CEILING IP42 BELOW CEILING (SMART) IP20 ABOVE CEILING



### SPECIFICATION

- Steel body finished full polyester, non-yellowing white
- Shallow body depth
- Suitable for most ceiling types. Lay-in or pull-up with optional side arm suspensions
- Designed to exclude dust, dirt and flies. All control gear is outside the lamp enclosure and the diffuser frame is gasketed
- Fitted with 4000K or 6500K lamps / 4000K or 6500K LEDs

### LED CHARACTERISTICS

Ra 80+	°K 4000/ 6500	L70/B10 60K	LL/CW <b>108.7</b>	
P/U P	% >85	R/Rx R	PF >0.9	

For LED characteristics explanation see [www.thorlux.com/led-characteristics](http://www.thorlux.com/led-characteristics)

Smart version



### RANGE

	NOMINAL SIZE (mm)	LAMP	CAT. No.	APPROX. kg	CIRCUIT
SMART	600 x 600	26W LED 4000K	<b>PU 16526D</b>	6.9	
		26W LED 6500K	<b>PU 16542D</b>	6.9	
		38W LED 4000K	<b>PU 16527D</b>	6.9	
		38W LED 6500K	<b>PU 16543D</b>	6.9	
		3 x 13W T5 ECO 4000K	<b>PU 14724D</b>	5.9	
		3 x 13W T5 ECO 6500K	<b>PU 14730D</b>	5.9	
		4 x 13W T5 ECO 4000K	<b>PU 14725D</b>	5.9	
		4 x 13W T5 ECO 6500K	<b>PU 14731D</b>	5.9	
		4 x 20W T5 ECO 4000K	<b>PU 14726D</b>	5.9	
		4 x 20W T5 ECO 6500K	<b>PU 14732D</b>	5.9	
STANDARD	600 x 600	26W LED 4000K	<b>PU 16528</b>	6.7	L/A
		26W LED 6500K	<b>PU 16544</b>	6.7	L/A
		38W LED 4000K	<b>PU 16529</b>	6.7	L/A
		38W LED 6500K	<b>PU 16545</b>	6.7	L/A
		3 x 13W T5 ECO 4000K	<b>PU 14721</b>	5.8	J/D/T
		3 x 13W T5 ECO 6500K	<b>PU 14727</b>	5.8	J/D/T
		4 x 13W T5 ECO 4000K	<b>PU 14722</b>	5.8	J/D/T
		4 x 13W T5 ECO 6500K	<b>PU 14728</b>	5.8	J/D/T
		4 x 20W T5 ECO 4000K	<b>PU 14723</b>	5.8	J/D/T
		4 x 20W T5 ECO 6500K	<b>PU 14729</b>	5.8	J/D/T

CIRCUIT TYPE - suffix catalogue number with:

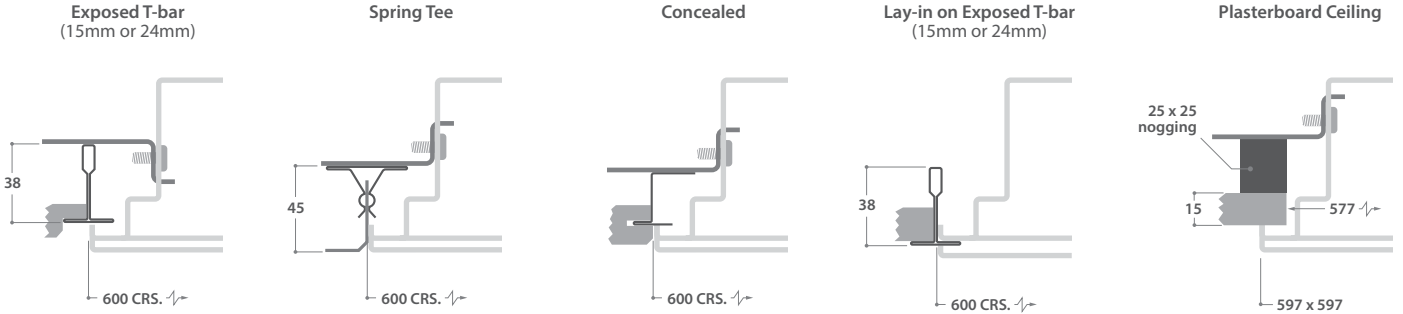
**J** - non-dimming (HF fluorescent) / **L** - non-dimming (LED) / **D** - dimming (1-10V) / **T** - dimming (DSI) / **A** - dimming (DALI) e.g. **PU 16528L** etc. Smart versions use digital dimming gear and are always suffixed D

EMERGENCY VERSION - prefix catalogue number with:

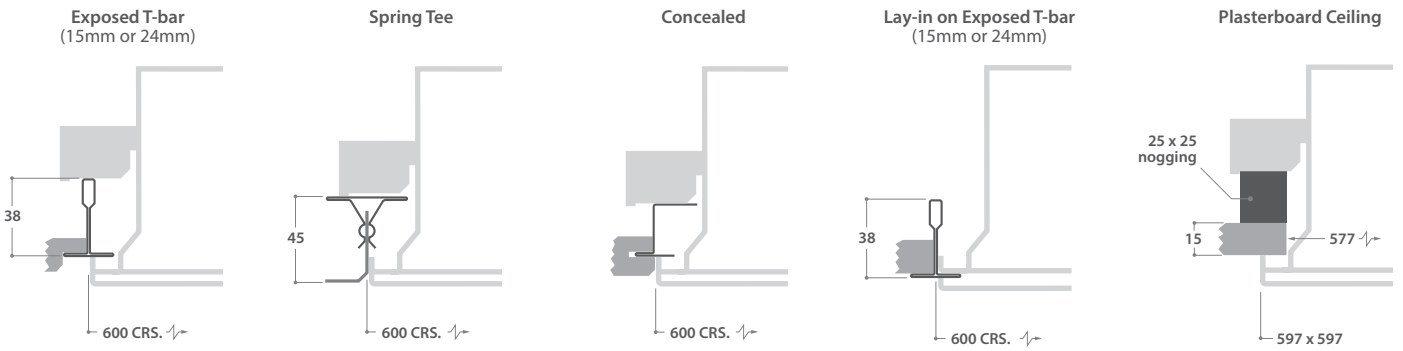
**EPU** - Emergency / **TPU** - AutoTest / **DPU ▲** - Scanlight AT e.g. **EPU 16528L** etc. Emergency, AutoTest and Scanlight AT versions add 0.7kg to weights listed or 0.3kg for LED versions  
▲ LED versions only

## MOUNTING ARRANGEMENTS

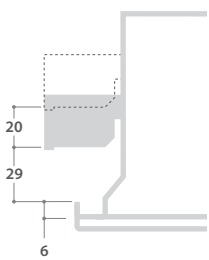
### LED Version



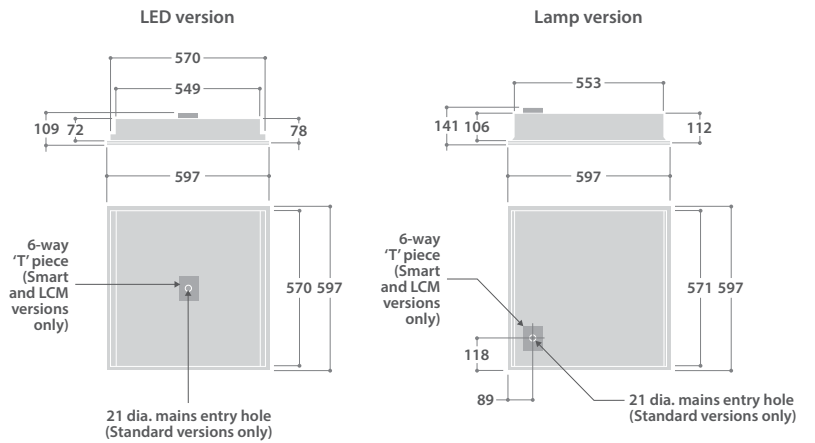
### Lamp Version



### Side arm suspension adjustment range



## DIMENSIONS





# PLATEAU

## LED LIGHT DIFFUSION

